

---

Doctoral Dissertations

Student Theses and Dissertations

---

Spring 2014

## Hardware integration of ultracapacitor based energy storage to provide grid support and to improve power quality of the distribution grid

Deepak Somayajula

Follow this and additional works at: [https://scholarsmine.mst.edu/doctoral\\_dissertations](https://scholarsmine.mst.edu/doctoral_dissertations)



Part of the [Electrical and Computer Engineering Commons](#)

Department: **Electrical and Computer Engineering**

---

### Recommended Citation

Somayajula, Deepak, "Hardware integration of ultracapacitor based energy storage to provide grid support and to improve power quality of the distribution grid" (2014). *Doctoral Dissertations*. 2184.  
[https://scholarsmine.mst.edu/doctoral\\_dissertations/2184](https://scholarsmine.mst.edu/doctoral_dissertations/2184)

This thesis is brought to you by Scholars' Mine, a service of the Missouri S&T Library and Learning Resources. This work is protected by U. S. Copyright Law. Unauthorized use including reproduction for redistribution requires the permission of the copyright holder. For more information, please contact [scholarsmine@mst.edu](mailto:scholarsmine@mst.edu).



**HARDWARE INTEGRATION OF ULTRACAPACITOR BASED ENERGY  
STORAGE TO PROVIDE GRID SUPPORT AND TO IMPROVE  
POWER QUALITY OF THE DISTRIBUTION GRID**

**by**

**DEEPAK SOMAYAJULA**

**A DISSERTATION**

**Presented to the Faculty of the Graduate School of the  
MISSOURI UNIVERSITY OF SCIENCE AND TECHNOLOGY**

**In Partial Fulfillment of the Requirements for the Degree**

**DOCTOR OF PHILOSOPHY**

**in**

**ELECTRICAL ENGINEERING**

**2014**

**Approved by**

**Mariesa L. Crow, Advisor  
Badrul H. Chowdhury  
Bruce M. McMillin  
Mehdi Ferdowsi  
Jonathan W. Kimball**

© 2014

Deepak Somayajula

All Rights Reserved

## **PUBLICATION DISSERTATION OPTION**

This dissertation has been prepared in the form of three papers for publication. The first paper consisting of pages 4 to 39 has been submitted to *IEEE Transactions on Sustainable Energy*. The second paper consisting of pages 40 to 65 has been submitted to *IEEE Transactions on Power Delivery*. The third paper consisting of pages 66 to 91 has been submitted to *IEEE Transactions on Sustainable Energy*.

## ABSTRACT

Grid integration of distributed energy resources (DERs) is increasing rapidly. Integration of various types of energy storage technologies like batteries, ultracapacitors (UCAPs), superconducting magnets and flywheels to support intermittent DERs, such as solar and wind, in order to improve their reliability is becoming necessary. Of all the energy storage technologies UCAPs have low energy density, high power density and fast charge/discharge characteristics. They also have more charge/discharge cycles and higher terminal voltage per module when compared to batteries. All these characteristics make UCAPs ideal choice for providing support to events on the distribution grid which require high power for short spans of time. UCAPs have traditionally been limited to regenerative braking and wind power smoothing applications.

The major contribution of this dissertation is in integrating UCAPs for a broader range of applications like active/reactive power support, renewable intermittency smoothing, voltage sag/swell compensation and power quality conditioning to the distribution grid. Renewable intermittency smoothing is an application which requires bi-directional transfer of power from the grid to the UCAPs and vice-versa by charging and discharging the UCAPs. This application requires high active power support in the  $10s-3min$  time scale which can be achieved by integrating UCAPs through a shunt active power filter (APF) which can also be used to provide active/reactive power support. Temporary voltage sag/swell compensation is another application which requires high active power support in the  $3s-1min$  time scale which can be provided integrating UCAPs into the grid through series dynamic voltage restorer (DVR). All the above functionalities can also be provided by integrating the UCAPs into a power conditioner topology.

## ACKNOWLEDGEMENTS

Firstly I thank my advisor, Dr. Mariesa Crow for giving me the opportunity to work on the project, and for allowing me to pursue research with complete freedom. Her support was instrumental in changing my thought process and her style of working helped me inculcate a new style of thinking in terms of research in particular and life in general. I would also like to thank my committee members Dr. Badrul Chowdhury, Dr. Mehdi Ferdowsi, Dr. Jonathan Kimball, Dr. Bruce McMillin for taking their time to review the dissertation and Dr. Stan Atcitty for his valuable inputs on the topic. I sincerely thank all my teachers from all walks of life for imparting their knowledge.

I would like to thank the academic and non-academic staff of Missouri S&T and Department of Electrical Engineering for their support. I would like to thank my various lab mates for maintaining a cordial working relationship. Thanks to all my friends who have been like my family while away from family. A special thanks to few of my close friends Raghu, Pramod, Brijesh, Madhu, Ramesh, Neelanjana, Ravi, Praneeth, Srikanth, Hossein, Mostafa, Andrew, Anand and Darshith for all the friendly gestures.

I'm deeply indebted to Hariharananda Gurukulam for giving me an opportunity to learn and practice an ancient scientific meditation technique and for shaping my philosophical outlook. Both of which were extremely useful while I pursued my doctoral studies. My love goes to my mother Mrs. Lakshmi Somayajula and my father Mr. Rama Rao Somayajula for all the sacrifices they had to make so that I could pursue my dreams with complete freedom. I'm deeply indebted to my loving sister Anusha and my brother-in-law Rohit for their encouragement. Lastly, I bow and dedicate this effort to all the great minds who have contributed to the welfare of humanity throughout history.

## TABLE OF CONTENTS

	Page
PUBLICATION DISSERTATION OPTION .....	iii
ABSTRACT.....	iv
ACKNOWLEDGEMENTS.....	v
LIST OF ILLUSTRATIONS.....	ix
LIST OF TABLES.....	xii
NOMENCLATURE .....	xiii
SECTION	
1.    INTRODUCTION.....	1
PAPER	
I.    An Integrated Active Power Filter–Ultracapacitor Design to Provide Intermittency Smoothing and Reactive Power Support to the Distribution Grid .....	4
Abstract.....	4
I.    INTRODUCTION.....	4
II.   THREE-PHASE GRID CONNECTED INVERTER .....	7
A.  Power Stage.....	8
B.  Controller Implementation .....	9
III.  UCAP AND BIDIRECTIONAL DC-DC CONVERTER .....	12
A.  UCAP Bank Hardware Setup.....	12
B.  Bi-directional Dc-dc Converter Hardware Setup .....	14
C.  Controller Implementation .....	15
D.  Higher Level Integrated Controller .....	20
IV.   SIMULATION RESULTS.....	22
V.    EXPERIMENTAL RESULTS .....	27
VI.   CONCLUSION .....	36
REFERENCES.....	37
PAPER	
II.   An Integrated Dynamic Voltage Restorer–Ultracapacitor Design for Improving the Power Quality of the Distribution Grid .....	40
Abstract.....	40



I.	INTRODUCTION.....	40
II.	THREE-PHASE SERIES INVERTER.....	43
A.	Power Stage.....	43
B.	Controller Implementation.....	45
III.	UCAP AND BI-DIRECTIONAL DC-DC CONVERTER.....	47
A.	UCAP Bank Hardware Setup.....	47
B.	Bi-directional Dc-dc Converter and Controller.....	47
IV.	SIMULATION RESULTS.....	49
V.	EXPERIMENTAL RESULTS.....	56
VI.	CONCLUSION.....	62
	REFERENCES.....	63
PAPER		
III.	An Ultracapacitor Integrated Power Conditioner for Reducing Intermittencies and Improving Power Quality of Distribution Grid.....	66
	Abstract.....	66
I.	INTRODUCTION.....	66
II.	THREE-PHASE INVERTERS.....	69
A.	Power Stage.....	69
B.	Controller Implementation.....	71
III.	UCAP AND BI-DIRECTIONAL DC-DC CONVERTER.....	73
A.	UCAP Bank Hardware Setup.....	73
B.	Bi-directional Dc-dc Converter and Controller.....	74
IV.	SIMULATION RESULTS.....	75
V.	EXPERIMENTAL RESULTS.....	81
VI.	CONCLUSION.....	88
	REFERENCES.....	89
SECTION		
2.	CONCLUSION.....	92
3.	FUTURE WORK.....	94
APPENDICES		
A.	THREE-PHASE PLL IMPLEMENTATION.....	95
B.	EMBEDDED C CONTROLLER CODE FOR DSP.....	98

C. SCHEMATICS FOR PCB BOARD DESIGN..... 109  
REFERENCES..... 113  
VITA..... 114

## LIST OF ILLUSTRATIONS

	Page
Paper I	
Fig. 1 One line diagram of the APF-UCAP system.....	8
Fig. 2 Three-phase grid-connected inverter and the Inverter Controller .....	10
Fig. 3 (a) Model of the bi-directional dc-dc converter and its controller .....	17
Fig. 3 (b) Block diagram of closed-loop converter in Average Current Mode Control ...	19
Fig. 3 (c) Model of the bi-directional dc-dc converter and its controller .....	20
Fig. 4 (a) Currents and voltages of bi-directional dc-dc converter for $i_{dref} = -15.0A$ (reactive power support).....	24
Fig. 4 (b) Grid, load and inverter active and reactive power curves for $i_{dref} = -15.0A$ (reactive power support).....	25
Fig. 4 (c) Currents and voltages of the inverter, grid and load for $i_{dref} = -15.0A$ (reactive power support).....	25
Fig. 5 (a) Currents and voltages of bi-directional dc-dc converter for $i_{qref} = -12.0A$ (active power support).....	26
Fig. 5 (b) Grid, load and inverter active and reactive power curves for $i_{qref} = -12.0A$ (active power support).....	26
Fig. 6 (a) Currents of bi-directional dc-dc converter for $i_{qref} = 7.0A$ (renewable intermittency smoothing; absorbing active power) .....	27
Fig. 6 (b) Grid, load and inverter active power curves for $i_{qref} = 7.0A$ (renewable intermittency smoothing; absorbing active power) .....	27
Fig. 7 (a) Sensor, Interface and DSP boards (1 <sup>st</sup> ), Dc-link capacitor and Inverter (2 <sup>nd</sup> ), LC filter (3 <sup>rd</sup> ), Isolation Transformer (4 <sup>th</sup> ).....	28
Fig. 7 (b) Bi-directional dc-dc converter and MSO4034B oscilloscope (top shelf), UCAP and 213.5Ω load (bottom shelf).....	28
Fig. 8 (a) Bi-directional dc-dc converter waveforms $V_{fdc}$ (CH1), $E_{cap}$ (CH2), $I_{dchnkav}$ (CH3) and $I_{ucav}$ (CH4).....	33
Fig. 8 (b) Inverter experimental waveforms $V_{ab}$ (CH1), $V_{inv1a}$ (CH2), $V_{sa}$ (CH3) and $I_{apf2a}$ (CH4) for zone 3 (active power support $i_{qref} = -12.0A$ ).....	33
Fig. 8 (c) Inverter experimental waveforms $V_{ab}$ (CH1), $V_{inv1a}$ (CH2), $V_{sa}$ (CH3) and $I_{apf2a}$ (CH4) for zone 7 (reactive power support $i_{dref} = -15.0A$ ) .....	34
Fig. 8 (d) Inverter experimental waveforms $V_{ab}$ (CH1), $V_{inv1a}$ (CH2), $V_{sa}$ (CH3) and $I_{apf2a}$ (CH4) for zone 5 (absorbing power from grid $i_{qref} = 7.0A$ ) .....	34
Fig. 8 (e) Bi-directional dc-dc converter waveforms showing transient response during mode transition to active power support mode.....	35

Fig. 9 (a) Inverter experimental waveforms $V_{ab}$ (CH1), $V_{sb}$ (CH2), $V_{sa}$ (CH3) and $I_{apf2a}$ (CH4) for active power support $i_{qref} = -12.0A$ during an unbalanced sag in phases $a$ and $b$ .....	35
Fig. 9 (b) Bi-directional dc-dc converter waveforms showing transient response in active power support mode during an unbalanced sag in phases $a$ and $b$ .....	36
<b>Paper II</b>	
Fig. 1 One line diagram of DVR with UCAP Energy Storage .....	44
Fig. 2 Model of three-phase Series inverter (DVR) and its controller.....	44
Fig. 3 Model of the bi-directional dc-dc converter and its controller .....	49
Fig. 4 (a) Source and load RMS voltages $V_{srms}$ and $V_{Lrms}$ during sag .....	51
Fig. 4 (b) Source voltages $V_{sab}$ (blue), $V_{sbc}$ (red), $V_{sca}$ (green) during sag .....	51
Fig. 4 (c) Load voltages $V_{Lab}$ (blue), $V_{Lbc}$ (red), $V_{Lca}$ (green) during sag .....	51
Fig. 4 (d) Injected voltages $V_{inj2a}$ (blue), $V_{inj2b}$ (red), $V_{inj2c}$ (green) during sag .....	52
Fig. 4 (e) $V_{inj2a}$ (green) and $V_{sab}$ (blue) waveforms during sag .....	52
Fig. 5 (a) Currents and voltages of dc-dc converter.....	52
Fig. 5 (b) Active power of grid, load and inverter during voltage sag .....	53
Fig. 6 (a) Source and load RMS voltages $V_{srms}$ and $V_{Lrms}$ during swell .....	54
Fig. 6 (b) Source voltages $V_{sab}$ (blue), $V_{sbc}$ (red), $V_{sca}$ (green) during swell .....	54
Fig. 6 (c) Load voltages $V_{Lab}$ (blue), $V_{Lbc}$ (red), $V_{Lca}$ (green) during swell .....	55
Fig. 6 (d) Injected voltages $V_{inj2a}$ (blue), $V_{inj2b}$ (red), $V_{inj2c}$ (green) during swell .....	55
Fig. 6 (e) $V_{inj2a}$ (green) and $V_{sab}$ (blue) waveforms during swell .....	55
Fig. 7 (a) Currents and voltages of dc-dc converter during swell.....	56
Fig. 7 (b) Active and Reactive power of grid, load and inverter during a voltage swell ..	56
Fig. 8 (a) Sensor, Interface and DSP boards (1st), Dc-link capacitor and Inverter (2nd), LC filter (3rd), Isolation Transformer (4th).....	57
Fig. 8 (b) Dc-dc converter and MSO4034B oscilloscope (top shelf), UCAP bank with 3 UCAPs (bottom shelf) and the Industrial Power Corruptor .....	57
Fig. 9 (a) UCAP and bi-directional dc-dc converter experimental waveforms $E_{cap}$ (CH1), $V_{fdc}$ (CH2), $I_{dclnk}$ (CH3) and $I_{ucav}$ (CH4) during voltage sag .....	60
Fig. 9 (b) UCAP and bi-directional dc-dc converter experimental waveforms $E_{cap}$ (CH1), $V_{fdc}$ (CH2), $I_{dclnk}$ (CH3) and $I_{ucav}$ (CH4) during voltage sag .....	61
Fig. 10 (a) UCAP and dc-dc converter experimental waveforms $E_{cap}$ (CH1), $V_{fdc}$ (CH2), $I_{dclnk}$ (CH3) and $I_{ucav}$ (CH4) during voltage swell.....	61
Fig. 10 (b) Inverter experimental waveforms $V_{sab}$ (CH1), $V_{Lab}$ (CH2) and $V_{inj2a}$ (CH3) and $I_{La}$ (CH4) during the voltage swell.....	62

## Paper III

Fig. 1 One line diagram of Power Conditioner with UCAP Energy Storage .....	70
Fig. 2 Model of Power Conditioner with UCAP Energy Storage.....	71
Fig. 3 Controller block diagram for DVR and APF.....	73
Fig. 4 Model of the bi-directional dc-dc converter and its controller .....	75
Fig. 5 (a) Source and load RMS voltages $V_{srms}$ and $V_{Lrms}$ during sag .....	77
Fig. 5 (b) Source voltages $V_{sab}$ (blue), $V_{sbc}$ (red), $V_{sca}$ (green) during sag .....	77
Fig. 5 (c) Injected voltages $V_{inj2a}$ (blue), $V_{inj2b}$ (red), $V_{inj2c}$ (green) during sag .....	77
Fig. 5 (d) Load voltages $V_{Lab}$ (blue), $V_{Lbc}$ (red), $V_{Lca}$ (green) during sag.....	78
Fig. 6 (a) Currents and voltages of dc-dc converter.....	78
Fig. 6 (b) Active power of grid, load and inverter during voltage sag .....	79
Fig. 7 (a) Currents and voltages of bi-directional dc-dc converter for $i_{dref} = -15.0A$ (reactive power support) and $i_{qref} = -12.0A$ (active power support) .....	80
Fig. 7 (b) Grid, load and inverter active and reactive power curves for $i_{dref} = -15.0A$ (reactive power support) and $i_{qref} = -12.0A$ (active power support) .....	81
Fig. 8 (a) Sensor, Interface and DSP boards (1 <sup>st</sup> ), Dc-link capacitor and Inverter (2 <sup>nd</sup> ), LC filter (3 <sup>rd</sup> ), Isolation Transformer (4 <sup>th</sup> ).....	83
Fig. 8 (b) Dc-dc converter and MSO4034B oscilloscope (top shelf), UCAP bank with 3 UCAPs (bottom shelf) and the Industrial Power Corruptor .....	83
Fig. 9 (a) UCAP and bi-directional dc-dc converter experimental waveforms $E_{cap}$ (CH1), $V_{fdc}$ (CH2), $I_{dclnk}$ (CH3) and $I_{ucav}$ (CH4) during voltage sag .....	85
Fig. 9 (b) UCAP and bi-directional dc-dc converter experimental waveforms $E_{cap}$ (CH1), $V_{fdc}$ (CH2), $I_{dclnk}$ (CH3) and $I_{ucav}$ (CH4) during voltage sag .....	86
Fig. 10 (a) UCAP and dc-dc converter experimental waveforms $E_{cap}$ (CH1), $V_{fdc}$ (CH2), $I_{dclnk}$ (CH3) and $I_{ucav}$ (CH4) during voltage swell.....	86
Fig. 10 (b) Inverter experimental waveforms $V_{ab}$ (CH1), $V_{inv1a}$ (CH2), $V_{sa}$ (CH3) and $I_{apf2a}$ (CH4) for zone 1 (reactive power support $i_{dref} = -10.0A$ ) .....	87
Fig. 10 (c) Inverter experimental waveforms $V_{sab}$ (CH1), $V_{Lab}$ (CH2), $V_{sa}$ (CH3) and $I_{apf2a}$ (CH4) for zone 3 (active power support $i_{qref} = -8.0A$ ).....	87
Fig. 10 (d) Inverter experimental waveforms $V_{ab}$ (CH1), $V_{inv1a}$ (CH2), $V_{sa}$ (CH3) and $I_{apf2a}$ (CH4) for zone 6 (UCAP charging $i_{qref} = 8.0A$ ).....	88

**LIST OF TABLES**

	Page
Paper I	
TABLE I Shunt Inverter and Dc-dc converter Results .....	31
Paper II	
TABLE I Series Inverter and Dc-dc converter Experimental Results .....	59

## NOMENCLATURE

<b>Symbol</b>	<b>Description</b>
$DER$	Distributed Energy Resource
$UCAP$	Ultracapacitor
$APF$	Active power filter
$DVR$	Dynamic Voltage Restorer
$UPQC$	Unified Power Quality Conditioner
$PC$	Power Conditioner
$PLL$	Phase Locked Loop
$P_{DER}$	Active power output from DER
$P_{UCAP}$	Active power output from UCAP
$P_{ref}, Q_{ref}$	Active and Reactive power commanded references
$P_{grid}, P_{load}, P_{inv}$	Grid, Load and Inverter Active Powers
$Q_{grid}, Q_{load}, Q_{inv}$	Grid, Load and Inverter Reactive Powers
$E_{cap}$	UCAP bank terminal voltage
$I_{ucav}$	Average current out of the UCAP bank
$V_{fdc}, V_{dc}$	Dc-link voltage
$I_{dclnk}, I_{dclnkav}$	Dc-link current and average dc-link current
$\theta$	PLL tracking of the system frequency
$\varphi$	Phase difference between inverter current and voltage
$v_{sd}, v_{sq}$	D-q components of the system voltage
$i_{dref}, i_{qref}$	D-q components of the commanded reference currents
$I_{refa}, I_{refb}, I_{refc}$	Commanded reference currents of a, b, c phases

$I_{apf2a}, I_{apf2b}, I_{apf2c}$	Active power filter currents of a, b, c phases
$I_{sa}, I_{sb}, I_{sc}$	Source or grid currents of a, b, c phases
$I_{La}, I_{Lb}, I_{Lc}$	Load currents of a, b, c phases
$E_{UCAP}$	Energy stored in the UCAP in W-min
$V_{uc,ini}, V_{uc,fin}$	UCAP initial and final voltages while discharging power
$P_{dcin}$	Power flowing into the dc-link
$V_{sa}, V_{sb}, V_{sc}$	Line-neutral source voltages of a, b, c phases
$V_{sab}, V_{sbc}, V_{sca}$	Line-line source voltages
$V_{Lab}, V_{Lbc}, V_{Lca}$	Line-line load voltages
$V_{inj2a}, V_{inj2b}, V_{inj2c}$	Line-neutral injected voltages of a, b, c phase
$V_{srms}, V_{Lrms}$	RMS values of source and load voltages
$C_1(s), C_2(s)$	Voltage and current compensator transfer functions



## 1. INTRODUCTION

Most of the appliances today are powered by electricity and electrical power is transmitted over long distances to power the appliances. During the initial days of commercialization and mass-production of electricity, Nikola Tesla proved to the world that electrical power can be transmitted over long distances in a much more efficient way if polyphase alternating current transmission is used instead of direct current transmission. Since then most of the electrical energy is transmitted over long distances using 3-phase alternating current. One of the major drawbacks of electrical energy in an alternating current system is that it cannot be stored electrically. However, it can be converted to electrochemical energy (batteries), electromagnetic energy (superconducting magnets), electrostatic energy (ultracapacitors), kinetic energy (flywheels) and potential energy (pumped hydro). The concept of integrating energy storage at the transmission level for advanced power applications has been explored and in this regard efforts have been made to integrate energy storage into flexible AC transmission (FACTS) power flow controllers. With the integration of energy storage the FACTS power flow controller will have active power capability which enhances its power transfer capability. However, the energy storage integration at the distribution grid level has been rare and the concept of integrating distributed energy storage (DESs) and distributed energy resources (DERs) into the distributed grid is slowly becoming a reality.

Renewable energy generation is growing fast and ideas such as smart grid are trying to change the role of a consumer from being a passive consumer to an active contributor who can supply stored excess power in various DERs, such as solar, wind and

PHEVs back to the distribution grid or the micro-grid. Most of the DERs are intermittent and integrating them with energy storage not only improves the reliability of the DERs but also gives an opportunity to provide additional functionalities such as active and reactive power support and voltage sag/swell compensation to distribution grid. Of all the energy storage technologies UCAPs have low energy density and high power density and fast charge/discharge characteristics. Therefore, they are ideally suited for providing support to events on the distribution grid which require high power and low energy for short spans of time. UCAPs also have higher number of charge-discharge cycles and higher terminal voltage per module when compared to batteries which again make them ideal choice for providing grid support for short time.

The main contribution of this dissertation is in the hardware integration of UCAP-based energy storage into the distribution grid. UCAP based energy storage can be integrated into the distribution grid through a bi-directional dc-dc converter and a dc-ac inverter and this integration can be carried out by connecting the dc-ac inverter in series as a dynamic voltage restorer (DVR) or in shunt as an active power filter (APF) with the grid. The first paper focuses on integrated UCAP and APF design and the integrated system will have active power capability and it will be able to provide *active power support*, *reactive power support* and *renewable intermittency smoothing* to the distribution grid. The integrated APF-UCAP system with active power capability was simulated in PSCAD and hardware integration of the complete system was performed. Designs of major components in the power stage and the control strategy of the bi-directional dc-dc converter are discussed. The simulation of UCAP-APF system which consists of the UCAP, bi-directional dc-dc converter, and the grid-tied inverter is

performed using PSCAD. A hardware experimental setup of the same integrated system is presented and the ability to provide active power support, reactive power support and renewable intermittency smoothing to the distribution grid is dynamically tested. The second paper focuses on integrated UCAP and DVR design and the integrated system will again have active power capability which gives UCAP-DVR system ability to independently compensate voltage sags and voltage swells. The simulation of the UCAP-DVR system which consists of the UCAP, dc-dc converter, and the inverter connected in series with grid is performed using PSCAD. Hardware experimental setup of the integrated system is presented and the ability to provide temporary voltage sag and swell compensation to the distribution grid is dynamically is tested.

Both the APF and the DVR inverters can be integrated at the dc-link of the inverter to form a power quality conditioner and the UCAP bank can be integrated into the dc-link as well through a bi-directional dc-dc converter and the system will have active power capability. With this integration the power conditioner will be able to provide the combined functionalities of APF and DVR systems with energy storage. Therefore, the power conditioner and UCAP based energy storage can improve the power quality of the distribution grid by providing active, reactive power support, intermittency smoothing as well as voltage sag and swell compensation. The power stage and control strategy of the dc-dc converter, the series DVR and the shunt APF are discussed. Hardware integration of the UCAP based energy storage with the power conditioner systems is performed and hardware experimental results are presented. It is observed that experimental results match very well with PSCAD simulations.

## PAPER

# I. An Integrated Active Power Filter–Ultracapacitor Design to Provide Intermittency Smoothing and Reactive Power Support to the Distribution Grid

D. Somayajula, Student Member, *IEEE*, M. L. Crow, Fellow, *IEEE*

*Abstract*—Grid integration of distributed energy resources (DERs) is increasing rapidly. Furthermore, smart grid technologies are making the grid more bi-directional providing opportunities to consumers to supply power back to the grid. Energy storage technologies like battery and ultracapacitor (UCAP) can be integrated through grid tied-inverters to support variable DERs such as solar and wind. In these cases, the energy storage with active power capability can improve grid performance by providing active and reactive power support. In this paper, the concept of providing active/reactive power support to the distribution grid by UCAPs is presented. UCAPs have higher number of charge-discharge cycles and higher terminal voltage per module when compared to batteries which make them ideal for providing grid support. The UCAP is integrated into the dc-link of the active power filter (APF) through a dc-dc converter. The dc-dc converter provides a stiff dc-link voltage which improves the performance of the grid-tied inverter. Design and control of both the dc-ac inverter and the dc-dc converter are very important in this regard and presented. The simulation model of the overall system is developed and compared to the experimental hardware setup.

*Index Terms*—UCAP, grid-tied inverter, distribution grid, dc-dc converter, APF, d-q control, average current mode control

## I. INTRODUCTION

The integration of distributed energy storage (DES) and distributed energy resources (DER) into the grid is slowly becoming a reality [1]. Renewable energy

generation is growing rapidly and concepts such as the smart grid are changing the role of consumers from passive customer to an active contributor who can supply excess power back to the grid. Most of the DERs are variable and combining them with energy storage technologies like batteries, flywheels, superconducting magnets and ultracapacitors (UCAPs) [2] gives an opportunity to provide active and reactive power support to the distribution grid. Renewable intermittency smoothing of the distribution grid is another application where energy storage integration is needed in the *seconds* to *minutes* time scale [3]. Various rechargeable energy storage technologies like batteries, superconducting magnets, flywheels and UCAPs have active power capability. Among these UCAPs are ideally suited for applications like renewable intermittency smoothing which need active power support in the *seconds* to *minutes* time scale [2], [4]. UCAPs also have higher number of charge/discharge cycles and higher terminal voltage per module when compared to batteries and the cost of UCAPs has been declining rapidly in the last few years [5] making them a better choice when compared to batteries. UCAPs are currently being used mainly in wind power smoothing applications [6] or for regenerative braking applications in hybrid electric vehicles [7]. The concept of providing active and reactive power support to the distribution grid through UCAP energy storage has not been explored. The main contribution of this paper is the development and hardware integration of active power filter (APF) with UCAP energy storage which gives the integrated APF-UCAP system active power capability which aids in providing renewable intermittency smoothing, active and reactive power support to the distribution grid. This cannot be achieved by a conventional APF with dc-link capacitor which does not have active power capability.

In this paper, the UCAP integration with an APF through a bi-directional dc-dc converter is proposed. Similar integration methods for other DERs have been proposed in the literature, but mostly for PV and wind applications [8]-[9]. In [8], the control of a three-phase grid connected inverter is modified such that the PV system can be connected to the inverter directly without the need for a dc-dc converter for maximum power point tracking. In [9], the active and reactive power limits of a grid-connected inverter connected to a wind energy system are calculated. Integrating battery energy storage at the dc-link of a grid-tied inverter to provide real and reactive power support is proposed in [10]. However, the discussion in [10] is centered on the design of the high-power voltage source converter/inverter for the transmission grid and not the distribution grid. Integration of a UCAP through a dc-dc converter into a power conditioning system is proposed in [11], but the focus is again only on the voltage-source inverter and experimental results for the UCAP and dc-dc converter are not provided. A voltage source multilevel converter-based shunt APF with UCAP at the dc-link is explored in [12]. However, the dc-link capacitor is replaced by an UCAP to improve the performance during voltage dips. Integration of a UCAP bank into a unified power quality conditioner (UPQC) system through dc-dc converter is proposed in [13], but providing active and reactive power support for the grid through the shunt APF is not fully explored. In this paper, UCAP energy storage integration into the grid that extends these earlier developments and addresses the following missing application areas is proposed.

- Integration of UCAP with the APF system gives the system active power capability which is necessary for providing active power support and renewable intermittency smoothing

- Experimental validation of the UCAP, dc-dc converter, inverter their interface and control
- Development of inverter and dc-dc converter controls to provide Renewable Intermittency Smoothing as well as Active and Reactive power support to the distribution grid
- Hardware integration and performance validation of the integrated APF-UCAP system

Most DERs are connected to the grid through a three-phase grid-tied inverter which can be controlled to meet various control objectives such as supplying active power, reactive power, harmonic compensation, and frequency regulation etc. A three-phase shunt active power filter (APF) can be controlled in such a way that it meets all the same control objectives. Furthermore, a three-phase grid-tied inverter is similar in topology to a three-phase shunt APF which opens up the possibility of exploring the vast amount of literature available for shunt APFs (see [14]-[17] as representative articles) and modifying the control strategies to suit the present control objectives of the grid-tied inverter.

## II. THREE-PHASE GRID CONNECTED INVERTER

A system diagram of the proposed system is shown in Fig. 1. The APF-UCAP system is shunt connected between the system source and the load. The system consists of a UCAP on the input side of the bi-directional dc-dc converter which acts as an interface between the UCAP and the 3-phase grid connected inverter. The major advantage of integrating the UCAP and the APF system is that the system now has the capability to supply and absorb *Active Power* from the grid. And a bi-directional dc-dc

converter interface is necessary since the UCAP voltage profile changes as it charges/discharges energy while the inverter dc-link voltage has to stay constant for accurate control of inverter. Therefore, it acts as a boost converter while the UCAP is discharging energy into the grid and as a buck converter while charging the UCAP from the grid.

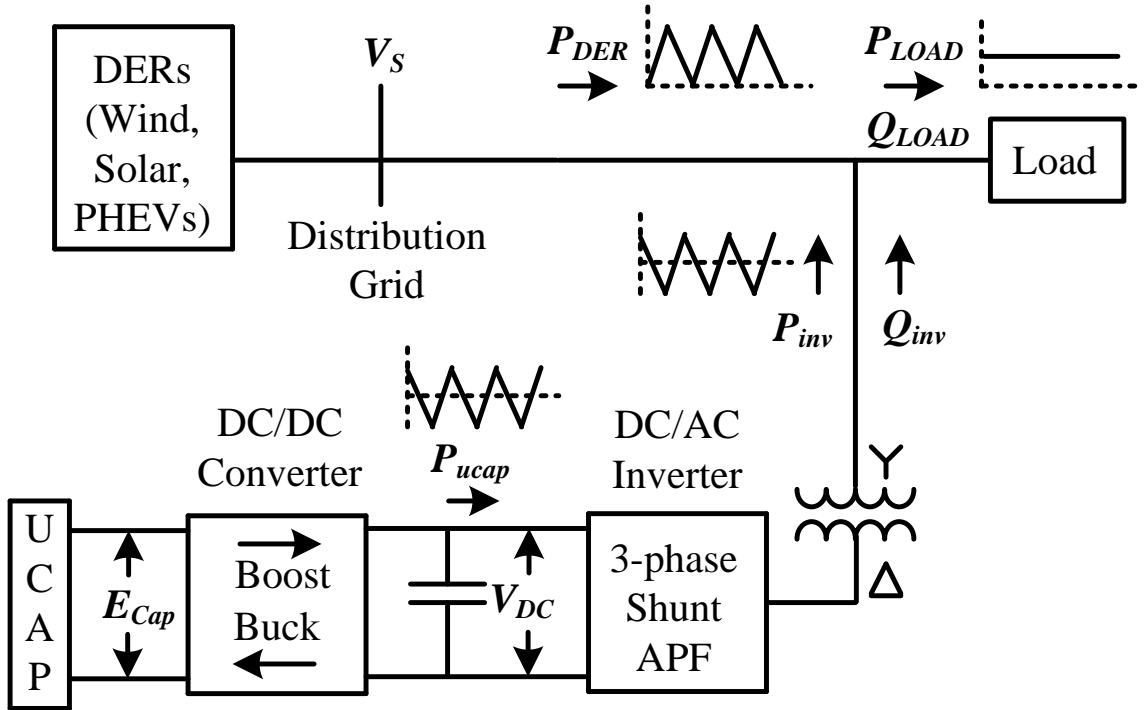


Fig. 1 One line diagram of the APF-UCAP system

#### A. Power Stage

The power stage which consists of a 3-phase inverter and its controller is shown in Fig. 2. The inverter system consists of an IGBT module, its gate-driver, LC filter and an isolation transformer. The dc-link capacitor voltage has to be regulated for optimum performance of the converter such that:



$$V_{dc} = \frac{2\sqrt{2}}{\sqrt{3}m * n} v_{ab(rms)} \quad (1)$$

where  $m$  is the modulation index and  $n$  is the turns ratio of the isolation transformer. In this application for low voltage distribution grids, the line-line rms voltage is 208V,  $m$  is 0.75, and  $n$  is  $\sqrt{3}$  for the delta-wye transformer which yields the required dc-link voltage  $V_{dc}$  of 260V.

### B. Controller Implementation

There are various methods to control the 3-phase shunt APF to provide harmonic and reactive power compensation of which the most common approaches are the p-q method [14]-[15] and the  $i_d$ - $i_q$  method [16]. In [16], the authors state that the  $i_d$ - $i_q$  control performs better in non-sinusoidal and unbalanced conditions when compared to the p-q method, while both methods perform in a similar manner in balanced sinusoidal conditions. In this system, the  $i_d$ - $i_q$  method is modified to provide active and reactive power compensation instead of the reactive and harmonic compensation described in [16] such that  $i_d$  controls the reactive power and  $i_q$  controls the active power [9]. Therefore, based on the references for active and reactive powers  $P_{ref}$  and  $Q_{ref}$  the reference currents  $i_{qref}$  and  $i_{dref}$  in d-q domain can be calculated using (2) and (3) where  $v_{sq}$  is the system voltage in q-domain. Ideally a higher level integrated controller will be determining the values of  $P_{ref}$ ,  $Q_{ref}$  based on various system inputs like  $P_{grid}$ ,  $Q_{grid}$ ,  $P_{load}$ ,  $Q_{load}$ ,  $V_{dc}$ ,  $V_{ucap}$ ,  $I_{dclnk}$  as shown in Fig. 2

$$P_{ref} = -\frac{3}{2}(v_{sq}i_{qref} + v_{sd}i_{dref}) \quad (2)$$

If  $v_{sd} = 0$ , then  $P_{ref} = -\frac{3}{2}v_{sq}i_{qref}$ . Similarly,

$$Q_{ref} = \frac{3}{2}(v_{sd}i_{qref} - v_{sq}i_{dref}) \quad (3)$$

and if  $v_{sd} = 0$ , then  $Q_{ref} = -\frac{3}{2}v_{sq}i_{dref}$ .

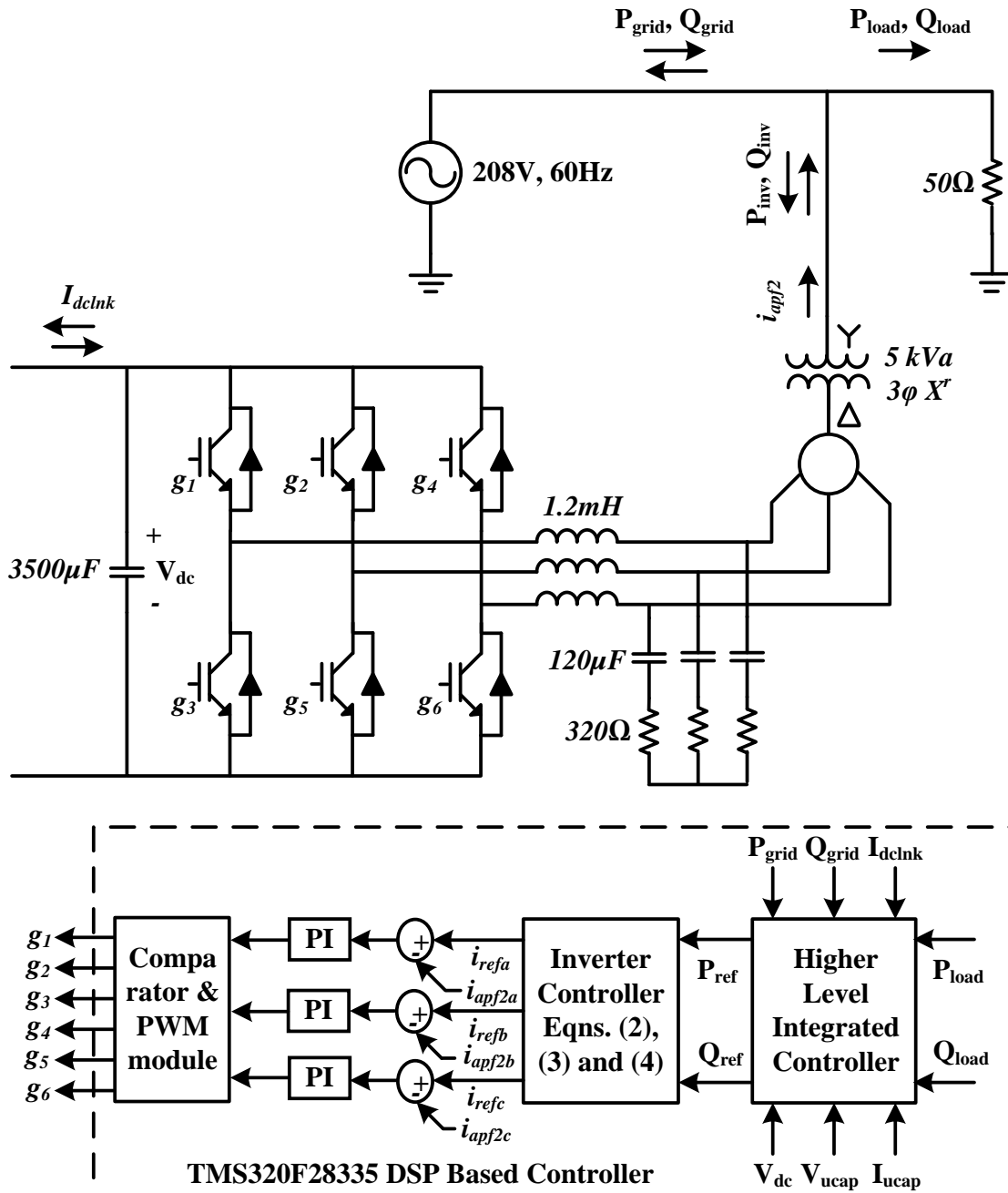


Fig. 2 Three-phase grid-connected inverter and the Inverter Controller

The reference currents in the  $d-q$  domain can be transformed into the reference currents  $i_{refa}$ ,  $i_{refb}$  and  $i_{refc}$  in the  $a-b-c$  domain using:

$$\begin{bmatrix} i_{refa} \\ i_{refb} \\ i_{refc} \end{bmatrix} = \begin{bmatrix} 1 & 0 \\ -\frac{1}{2} & \frac{\sqrt{3}}{2} \\ -\frac{1}{2} & -\frac{\sqrt{3}}{2} \end{bmatrix} \begin{bmatrix} \cos \theta & \sin \theta \\ -\sin \theta & \cos \theta \end{bmatrix} \begin{bmatrix} i_{dref} \\ i_{qref} \end{bmatrix} \quad (4)$$

Eqn. (4) requires a PLL to estimate the value of  $\theta$  and the PLL used in this paper is based on the fictitious power method proposed in [15]. The main advantage of the fictitious power method is it tracks the positive sequence voltage  $V_{+1}$  instead of the actual system voltage which is very useful in unbalanced systems. Once the reference currents  $i_{refa}$ ,  $i_{refb}$  and  $i_{refc}$  are calculated they are compared with the actual inverter currents  $i_{apf2a}$ ,  $i_{apf2b}$  and  $i_{apf2c}$  and the error is passed through a PI controller. There are various methods for current control like hysteresis, sigma-delta and PI control. Among these PI control is the most stable however; it requires the tuning of PI gains based on the system parameters. For the present system the  $K_p$  and  $K_i$  values were found out to be 0.2 and 50 respectively. Therefore, the transfer function of PI controller is given by:

$$T(s) = 0.2 + \frac{50}{s} \quad (5)$$

Then the PI controller output is passed through a comparator and Pulse width modulator (PWM) which will generate the gate signals for the inverter and this will allow the inverter to supply the commanded active power  $P_{ref}$  or reactive power  $Q_{ref}$ . In the present scenario for the sake of demonstration and proof of concept validation the system is operated in open loop and  $P_{ref}$  and  $Q_{ref}$  are commanded directly in the controller instead of these values coming from a higher level integrated controller as proposed in the

control block diagram. Therefore, the actual active power  $P_{inv}$  and reactive power  $Q_{inv}$  supplied by the inverter may not be the same as the commanded  $P_{ref}$  and  $Q_{ref}$ . They are estimated as:

$$\begin{aligned} P_{inv} &= 3V_{sa(rms)}I_{apf2a(rms)} \cos \varphi \\ Q_{inv} &= 3V_{sa(rms)}I_{apf2a(rms)} \sin \varphi \end{aligned} \quad (6)$$

In (6),  $V_{sa}$  is line-neutral voltage of the grid,  $I_{apf2a}$  is the inverter current on the secondary side of the isolation transformer and  $\varphi$  is the phase difference between the  $V_{sa}$  and  $I_{apf2a}$  waveforms. The complete inverter control algorithm is implemented in a DSP TMS320F28335 which has a clock frequency of 150MHz, an inbuilt A/D module, PWM module and real-time emulation, which are all well-suited for this application. The sampling frequency in the inbuilt A/D module was set at 60 kHz and the switching frequency in the PWM module is set at 12 kHz for the present application.

### III. UCAP AND BIDIRECTIONAL DC-DC CONVERTER

#### A. UCAP Bank Hardware Setup

UCAPs can deliver very high power in a short time span; they have higher power density and lower energy density when compared to Li-ion batteries [18], [19]. The major advantage UCAPs have over batteries is their power density characteristics, high number of charge-discharge cycles over their lifetime and higher terminal voltage per module [5], [18]. These are ideal characteristics for providing active/reactive power support and intermittency smoothing to the distribution grid on a *short term* basis. In [20], it is proposed that UCAPs are currently viable as short term energy storage for bridging power in kW range in the *seconds to few minutes* timescale. The choice of the number of

UCAPs necessary for providing grid support depends on the amount of support needed, terminal voltage of the UCAP, dc-link voltage and distribution grid voltages. In the present case the choice was made based on the following parameters. From (1) it is clear that the dc-link voltage needs to be 260V for the 208V distribution grid for optimal performance of the inverter. The terminal voltage of each BMOD0165P048 module is 48V which means connecting three modules in series would bring the initial voltage of the UCAP bank to 144V and connecting four modules in series would bring the initial voltage of the UCAP bank to 192V. For a 260V dc-link voltage these two options are ideal for integrating the UCAP bank through the dc-dc converter since the duty ratio of the converter would be either too low or too high for other cases. It is cost effective as well to use 3 modules in the UCAP bank when compared to 4 modules. In this paper, the experimental setup consists of three 48V, 165F UCAPs (BMOD0165P048) manufactured by Maxwell Technologies which are connected in series. Assuming that the UCAP bank can be discharged to 50% of its initial voltage ( $V_{uc,ini}$ ) to final voltage ( $V_{uc,fin}$ ) from 144V to 72V which translates to depth of discharge of 75%, the energy in the UCAP bank available for discharge is given by:

$$E_{UCAP} = \frac{1}{2} * C * \frac{(V_{uc,ini}^2 - V_{uc,fin}^2)}{60} \text{ W} - \text{min}$$

$$E_{UCAP} = 1/2 * 165/3 * (144^2 - 72^2)/60 \quad (7)$$

$$=7128 \text{ W-min}$$

A bi-directional dc-dc converter is required as an interface between the UCAP and the dc-link since the UCAP voltage varies with the amount of energy discharged while the dc-link voltage has to be stiff. Therefore, bi-directional dc-dc converter is designed to

operate in boost mode when the UCAP bank voltage is between 72V to 144V and the output voltage is regulated at 260V. And when the UCAP bank voltage is below 72V the bi-directional dc-dc converter is operated in Buck mode and draws energy from the grid to charge the UCAPs and the output voltage is again regulated at 260V.

### *B. Bi-directional Dc-dc Converter Hardware Setup*

Various topologies have been proposed for the dc-dc converter for integrating UCAP based energy storage into the grid. A drive system and an auxiliary energy storage system with UCAPs have been proposed in [21]-[22]. In the present paper, a non-isolated bi-directional dc-dc converter which acts as a boost converter while discharging energy from the UCAP and as a buck converter while charging energy from the grid is used. The integrated UCAP and APF system is supposed to respond dynamically to provide *active and reactive power support* to the grid as well as provide *renewable intermittency smoothing*. In the case of renewable intermittency smoothing application the bi-directional dc-dc converter should be able to withstand fluctuations in the power outputs of the DERs by absorbing excess power from DERs into UCAP and discharging power from UCAP when the power output from DERs is lower than load requirement.

The model of the bi-directional dc-dc converter and its controller is shown in Fig. 3 (a) where the output of the dc-dc converter is connected to the dc-link of the inverter. The input consists of three 48V 165F UCAPs with a total ESR of 21.3  $m\Omega$ . The inductance of 181  $\mu\text{H}$  is chosen for operating the converter in continuous conduction mode (CCM) for heavy load cases and in discontinuous conduction mode (DCM) for light load case. The size of the inductor is an important factor in the dc-dc converter design and as the inductor size increases, the amount of ripple in the inductor current also decreases [17]. Generally it is preferred to operate the converter in CCM with low ripple,

but operating the converter in CCM at light load requires a large inductor. Therefore, in this system the ripple in the inductor current is kept constant at 9A and the converter is allowed to operate in both CCM and DCM for optimum sizing of the inductor over a wide operating range.

Switching frequency also impacts the size of the inductor and is set to 31.25 kHz which also produces a good transient response. The input filter capacitor of 88  $\mu\text{F}$  is used to reduce the high frequency inductor ripple current which if drawn from the UCAP bank may reduce its cycle life. Note that as the size of the inductor decreases, the amount of ripple current increases, which has to be supplied by the input filter capacitor. Thus the size of the inductor and the input filter capacitor are interdependent and their design must be optimized accordingly. An output capacitor of 44 $\mu\text{F}$  is used to filter out the high frequency ripple in the output current which is discontinuous and therefore, has higher ripple when compared to the input current. However, the dc-link capacitor provides a portion of the ripple current and the input is more sensitive to high frequency ripple so it has a larger capacitor compared to output. A nominal resistive load of 213.5 $\Omega$  is used to prevent the converter from operating on no-load.

### C. Controller Implementation

Average current mode control is used to regulate the output voltage of the bi-directional dc-dc converter in both *Buck* and *Boost* modes while *Charging* and *Discharging* the UCAP bank. While the UCAP-APF system is *Discharging* power the dc-link voltage  $V_{out}$  tends to be less than  $V_{ref}$  which causes the reference current  $I_{ucref}$  to be positive thereby operating the dc-dc converter in *Boost Mode*. Along similar lines when the UCAP-APF system is absorbing power from the grid the dc-link voltage  $V_{out}$  tends to be greater than  $V_{ref}$  which causes the reference current  $I_{ucref}$  to be negative and thereby

operating the dc-dc converter in *Buck mode*. Average current mode control technique is widely explored in the literature [17] and it was found as the ideal method for UCAP-APF integration as it tends to be more stable when compared to other methods like voltage mode control and peak current mode control. Average current mode controller and the higher level integrated controller are shown in Fig. 3 (a) where the actual output voltage  $V_{out}$  is compared with the reference voltage  $V_{ref}$  and the error is passed through the voltage compensator  $C_1(s)$  which generates the average reference current  $I_{ucref}$ . This is then compared to the actual UCAP current (which is also the inductor current)  $I_{uc}$  and the error is then passed through the current compensator  $C_2(s)$ .



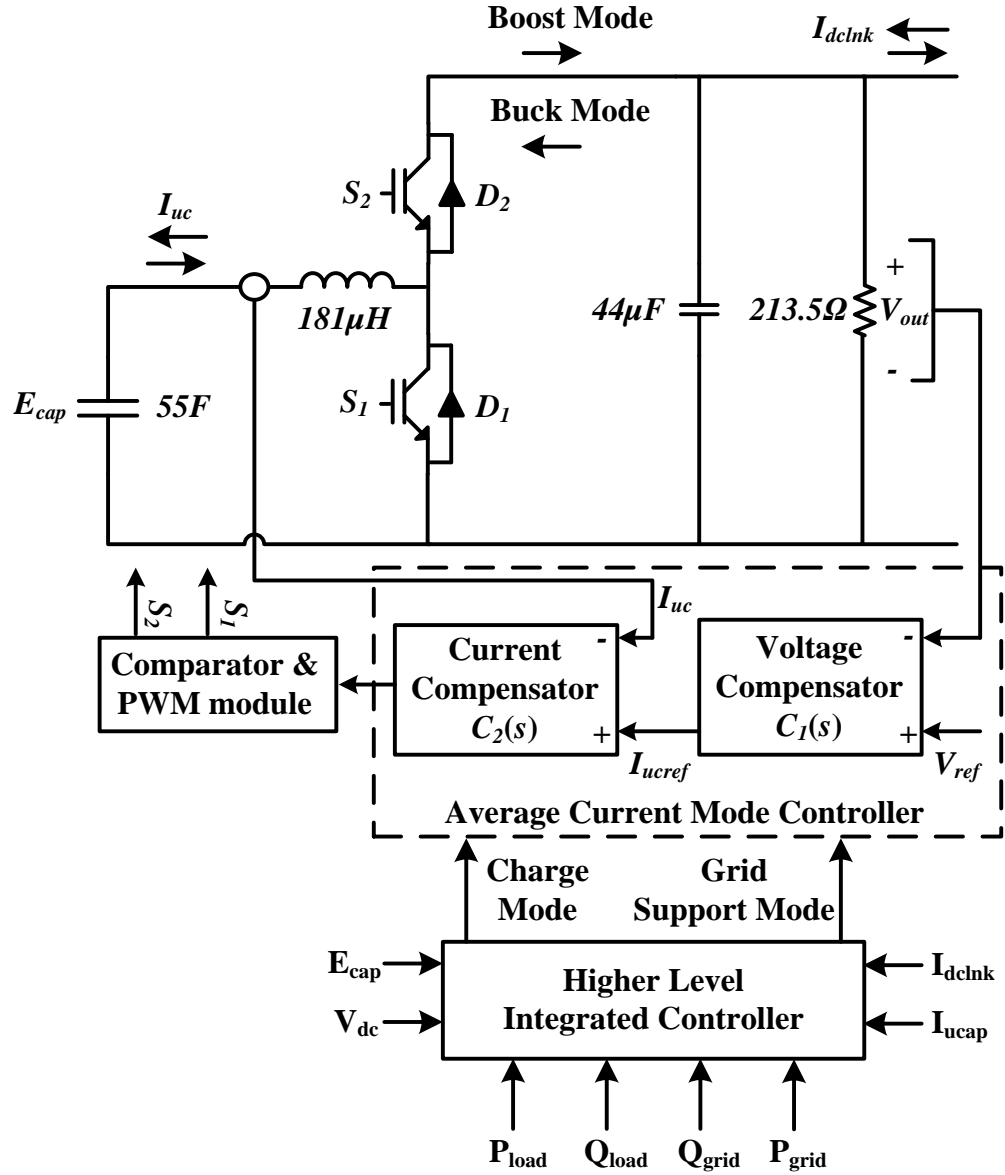


Fig. 3 (a) Model of the bi-directional dc-dc converter and its controller

The converter model for average current mode control is based on the following transfer functions developed in [23]:

$$G_{id}(s) = \frac{V_{out} \left( sC + \frac{2}{R} \right)}{s^2 LC + s \frac{L}{R} + (1 - D)^2} \quad (8)$$

$$G_{vi}(s) = \frac{(1-D) \left[ 1 - \frac{sL}{R(1-D)^2} \right]}{\left( sC + \frac{2}{R} \right)} \quad (9)$$

The model of the dc-dc converter in Average current mode control is shown in Fig. 3 (b) which has two loops. The inner current loop  $T_i(s)$  which has the current compensator  $C_2(s)$ , voltage modulator gain  $V_M$  and the transfer function  $G_{id}(s)$ . The outer voltage loop  $T_v(s)$  constitutes the voltage compensator  $C_1(s)$ , current loop  $T_i(s)$  and the transfer function  $G_{vi}(s)$ . The current compensator design  $C_2(s)$  must be carried out initially and the voltage compensator  $C_1(s)$  design is based on the design of the current compensator due to the dependency of  $C_1(s)$  on  $C_2(s)$ . The current compensator  $C_2(s)$  must be designed in such a way that at the cross-over frequency of the current loop there is enough phase-margin to make the current loop  $T_i(s)$  stable and it should have a higher bandwidth when compared to the voltage loop  $T_v(s)$ . Based on these criteria the transfer functions of the current loop  $T_i(s)$  and the current compensator  $C_2(s)$  are given by:

$$T_i(s) = G_{id}(s) \cdot \frac{C_2(s)}{V_M} \quad (10)$$

$$C_2(s) = 1.67 + \frac{231.81}{s} \quad (11)$$

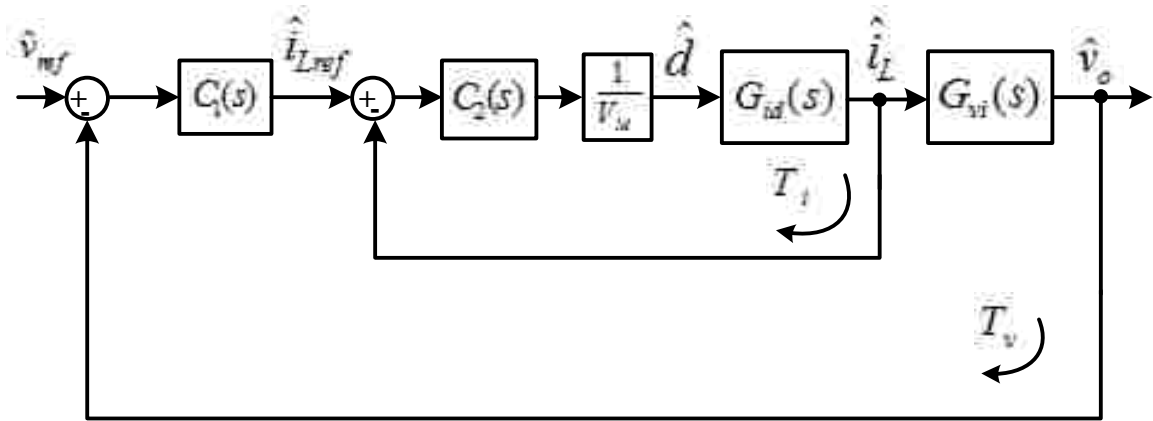


Fig. 3 (b) Block diagram of closed-loop converter in Average Current Mode Control

The closed loop transfer function of the current loop is then given by:

$$T_1(s) = \frac{T_i(s)}{1 + T_i(s)} \quad (12)$$

It can be observed from Fig. 3 (c) that the phase margin is around  $90^\circ$  at the cross-over frequency of the current loop  $T_i(s)$  and it has higher bandwidth when compared to the voltage loop  $T_v(s)$ . The voltage loop compensator  $C_1(s)$  design is dependent on the design of  $T_i(s)$  and it is a PI compensator whose gain is adjusted to have the desired cross-over frequency. Based on these criterion the transfer functions of the voltage loop  $T_v(s)$  and compensator  $C_1(s)$  is given by:

$$T_v(s) = G_{vi}(s)C_1(s)T_1(s) \quad (13)$$

$$C_1(s) = 3.15 + \frac{1000}{s} \quad (14)$$

The transfer function of the plant  $G_{vi}(s)$  along with the transfer function of  $C_1(s)$  of the voltage compensator and the overall voltage loop transfer function  $T_v(s)$  are shown in Fig. 3 (c). It can be observed that the voltage loop  $T_v(s)$  has a cross-over frequency of around

150 Hz with a phase margin of  $73^\circ$  which provides a stable dynamic response. The stability and dynamic performance of the voltage loop  $T_v(s)$  determine the stability and dynamic response of the overall system.

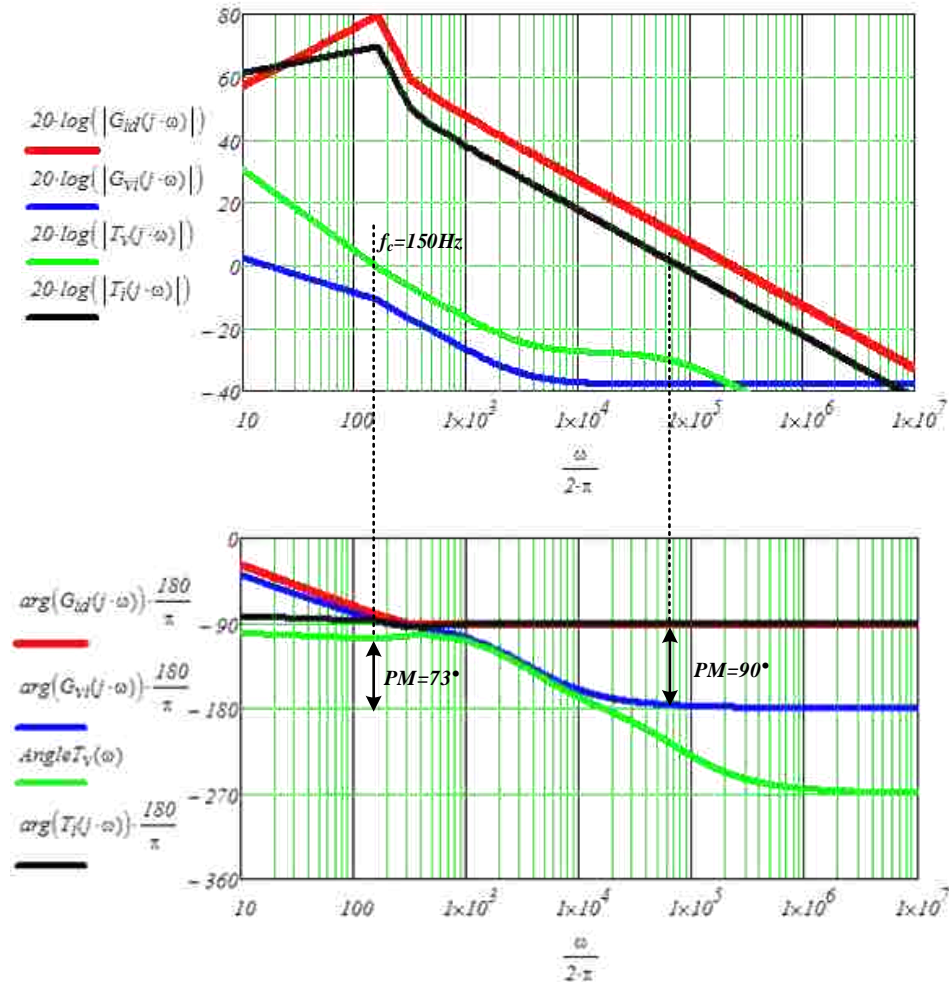


Fig. 3 (c) Model of the bi-directional dc-dc converter and its controller

#### D. Higher Level Integrated Controller

The higher level integrated controller is designed to make system level decisions on the inverter and dc-dc converter controllers. Based on various system parameters like  $P_{load}$ ,  $Q_{load}$ ,  $P_{grid}$ ,  $Q_{grid}$ ,  $V_{ucap}$ ,  $V_{dc}$ ,  $I_{dclnk}$ ,  $I_{ucap}$  the higher level integrated controller will

decide on operating in one of the following modes *Active Power Support mode*, *Reactive Power Support Mode*, *Renewable Intermittency Smoothing Mode* and *Charge Mode*.

In *Active power support mode* and *Renewable intermittency smoothing mode* the UCAP-APF system must provide active power to the grid. Therefore, the active power capability of the UCAP-APF system must be assessed by the higher level integrated controller. Based on the  $P_{grid}$  and  $P_{load}$  values the reference  $P_{ref}$  is calculated in the higher level integrated controller and it will decide if the UCAP has enough energy to respond to the  $P_{ref}$  command based on the UCAP state of charge. If the UCAP has enough capacity to respond to the request then the dc-dc converter controller is operated in *Grid Support Mode* otherwise it is operated in *Charge Mode* where the UCAP is recharged and the power request is met at a later time. In *Grid Support Mode* the dc-dc converter will operate in a bi-directional fashion in both Buck and Boost modes to respond to the active power requests and regulate the dc-link voltage in a stable fashion while the inverter controller should respond such that the commanded  $P_{ref}$  is supplied by the inverter through current control.

In *Reactive power support mode* the UCAP-APF system must provide reactive power to the grid. In this mode the UCAP-APF does not provide any active power to the grid and even the APF losses are supplied by the grid. Based on the  $Q_{grid}$  and  $Q_{load}$  values the reference  $Q_{ref}$  is calculated in the higher level integrated controller. In this mode the dc-dc converter controller can be programmed to operate in *Grid Support Mode* directly since the active power requirement for operating in this mode is minimal. Therefore, the goal of the dc-dc converter controller is to regulate the dc-link voltage in a stable fashion

while the inverter controller should respond such that the commanded  $Q_{ref}$  is supplied by the inverter through current control.

In *Charge Mode* the UCAP is recharged by absorbing active power from the grid when the UCAP state of charge falls below 50%. The rate at which the UCAP can be charged is assessed by the higher level integrated controller based on the  $P_{grid}$  and  $P_{load}$  values and the reference  $P_{ref}$  is calculated. Then the dc-dc converter controller is commanded to operate in *Charge Mode* wherein the dc-dc converter will operate in Buck Mode to absorb the power from the grid and the inverter controller must respond to supply commanded  $P_{ref}$ .

#### IV. SIMULATION RESULTS

The simulation of the complete system which includes the 3-phase grid tied inverter and the dc-dc converter is performed using PSCAD. The ability of the system to supply the commanded reactive power is simulated with  $i_{dref} = -15A$  which translates to a  $Q_{ref}$  of 3819Var from (3). The simulation results are shown in Fig. 4 (a) and (b) where the UCAP is charged until 0.08s, at which point the UCAP voltage  $E_{cap}$  reaches a value of 144V. The UCAP is connected to the dc-dc converter at  $t = 0.10s$ . At  $t = 0.12s$  the inverter is synchronized to the grid. It can be observed from Figs. 4 (a) and 4 (b) that  $P_{inv}$ ,  $Q_{inv}$  and  $V_{fdc}$  have converged to the steady state values of -92W, 3570Var and 260V, respectively closely tracking the commanded  $Q_{ref}$ .

The inverter current and voltage waveforms when the system provides reactive power support are shown in Fig. 4 (c) where it can be observed that  $I_{apf2a}$  tracks the reference current  $I_{refa}$  accurately after synchronization with the grid. And  $I_{refa}$  and hence  $I_{apf2a}$  lags  $V_{sa}$  by approximately  $90^\circ$  which is required for reactive power compensation. It

can also be observed from voltage waveforms that the inverter voltage  $V_{inv1a}$  is almost sinusoidal after synchronization. The ability of the system to supply commanded active power is then simulated with  $i_{qref} = -12.0A$  which translates to  $P_{ref}$  of 3054W from (2). The simulation setup is the same as in the previous case and the simulation results are shown in Figs. 5 (a) and 5 (b) where it can be observed that  $P_{inv}$ ,  $Q_{inv}$ ,  $V_{fdc}$  and  $I_{dclnkav}$  have converged to steady state values of 2701W, 466Var, 260V and 10.82A closely tracking the commanded  $P_{ref}$ .

Similarly, the simulation results for the renewable intermittency smoothing applications where the UCAP must be capable of both supplying and absorbing active power are shown in Figs. 6 (a) and (b). Since the results for the case where the UCAP and the inverter system supply active power to the grid are already presented in Figs. 5 (a) and (b) so in Figs. 6 (a) and (b) similar results are presented for the case where the UCAP and inverter system absorb active power from the grid which is achieved by commanding a positive  $i_{qref}$  of 7A which corresponds to a  $P_{ref}$  of -1782W. It can be observed from Figs. 6 (a) and (b) that  $P_{inv}$ ,  $V_{fdc}$  and  $I_{dclnkav}$  have converged to steady state values of -1791W, 260V and -6.906A again tracking the commanded  $P_{ref}$  closely. The slight difference between the reference values and actual values in all three modes is due to the operation of the system in open loop configuration as explained previously. It should also be noted that simulation results are presented for shorter time span when compared to hardware results due to limitations in PSCAD software. Therefore, it is evident from the simulations that the UCAP and APF system can together respond to changes in  $i_{qref}$  and  $i_{dref}$  commands and accordingly provide active and reactive power support to the grid. It is also evident that both the dc-dc converter and inverter can operate in a bi-directional

fashion which is necessary when the system is used in renewable intermittency smoothing applications. Active power support, reactive power support and renewable intermittency smoothing are the primary functionalities the UCAP integrated APF system will be providing to the distribution grid. These functionalities of energy storage with user defined or higher level controls will be playing a major role with penetration of distributed energy resources (DERs) on the distribution grid.

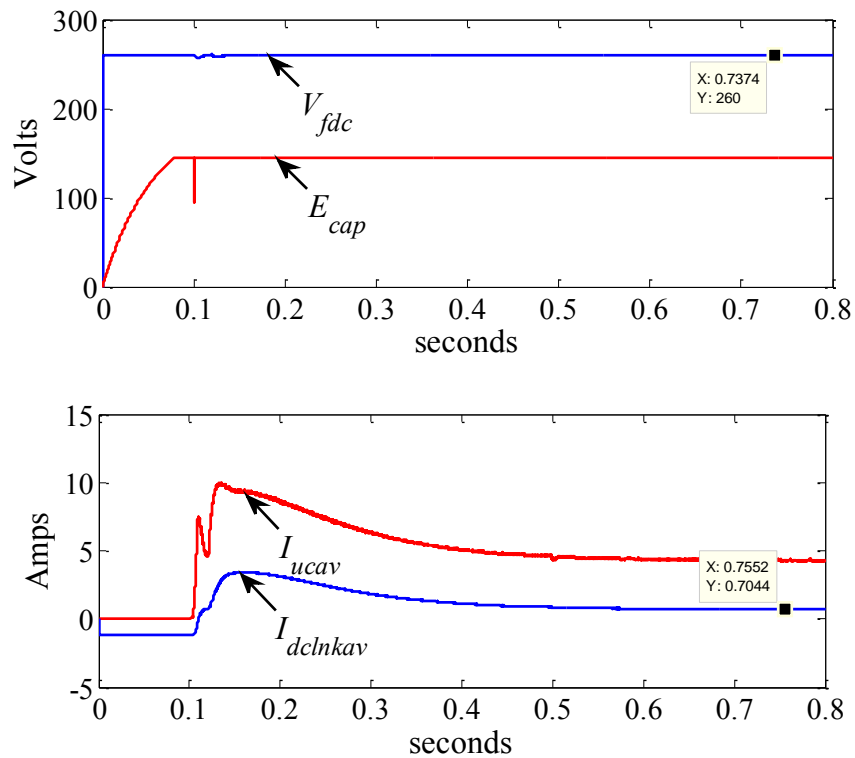


Fig. 4 (a) Currents and voltages of bi-directional dc-dc converter for  $i_{dref} = -15.0A$  (reactive power support)



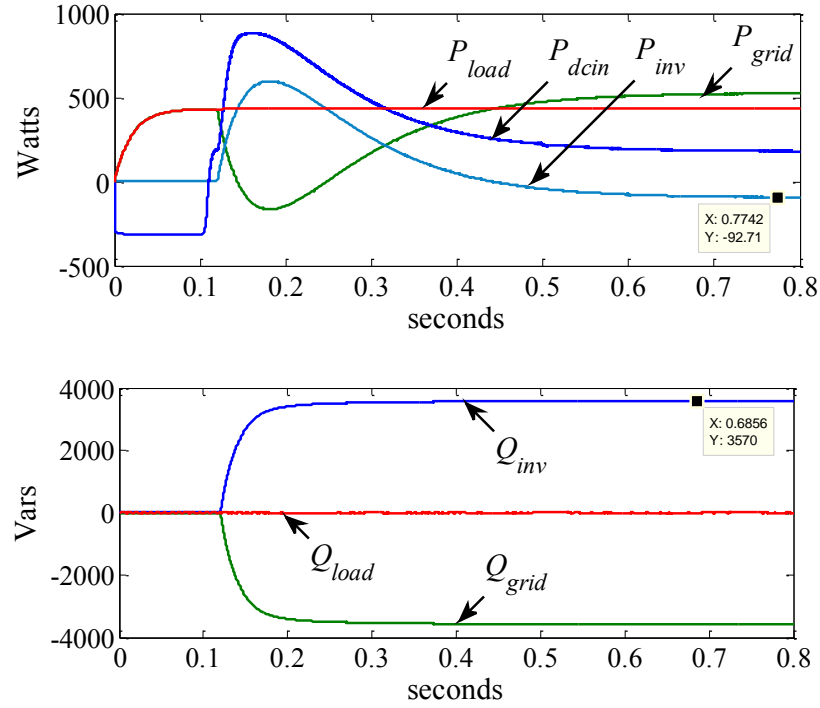


Fig. 4 (b) Grid, load and inverter active and reactive power curves for  $i_{dref} = -15.0A$  (reactive power support)

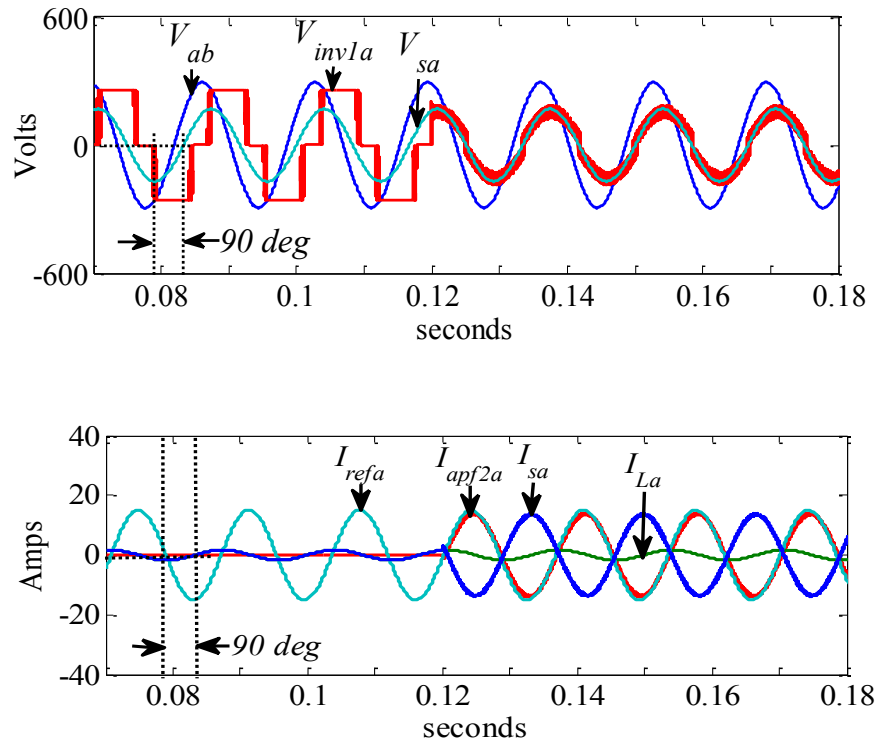


Fig. 4 (c) Currents and voltages of the inverter, grid and load for  $i_{dref} = -15.0A$  (reactive power support)

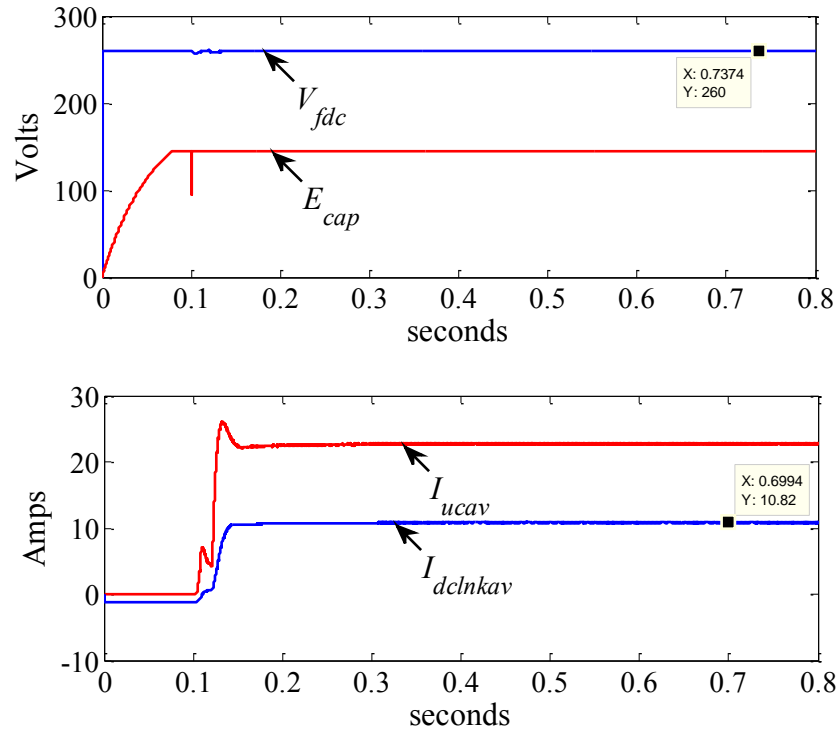


Fig. 5 (a) Currents and voltages of bi-directional dc-dc converter for  $i_{qref} = -12.0A$  (active power support)

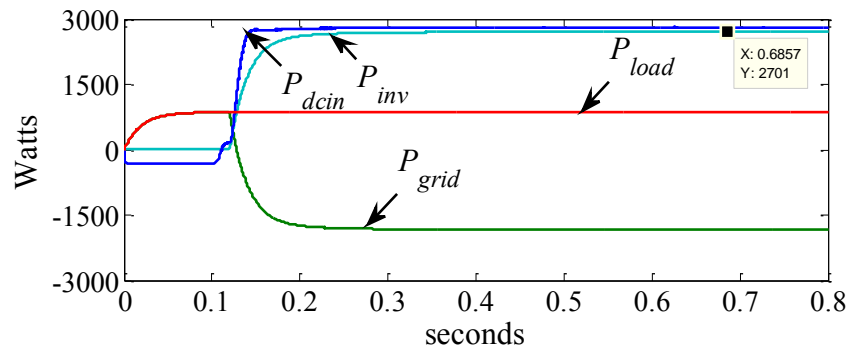


Fig. 5 (b) Grid, load and inverter active and reactive power curves for  $i_{qref} = -12.0A$  (active power support)

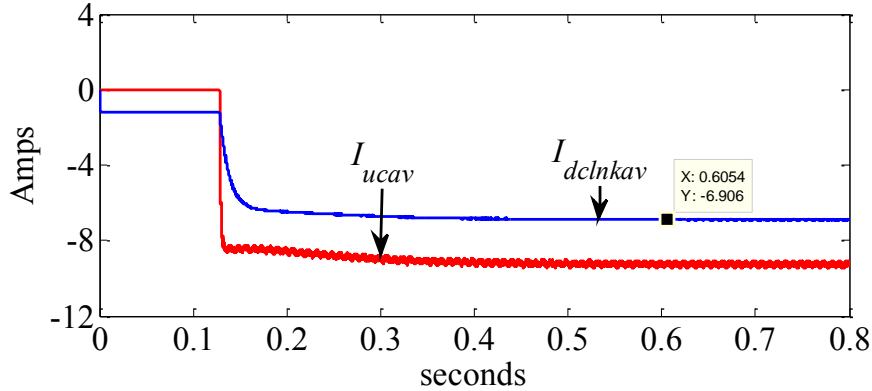


Fig. 6 (a) Currents of bi-directional dc-dc converter for  $i_{qref}=7.0A$  (renewable intermittency smoothing; absorbing active power)

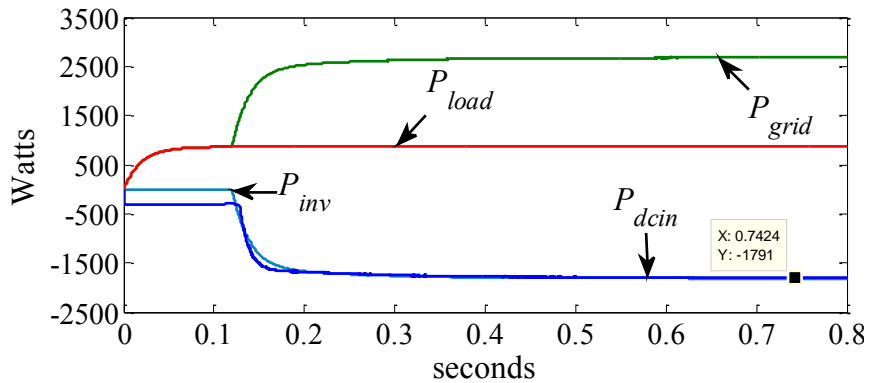


Fig. 6 (b) Grid, load and inverter active power curves for  $i_{qref}=7.0A$  (renewable intermittency smoothing; absorbing active power)

## V. EXPERIMENTAL RESULTS

To validate the UCAP-APF performance, a hardware prototype of the system was constructed and is shown in Figs. 7 (a) and 7 (b). In Fig. 7 (a), the complete inverter system is shown. It consists of a sensor board, an interface board, TMS320F28335 DSP controller and their power supply circuit in the top (1<sup>st</sup>) shelf. The 2<sup>nd</sup> shelf contains the inverter IGBT module (BSM100GD60DLC) which is a 600V, 100A six-pack module from Infineon, its gate driver SKHI 61R manufactured by SEMIKRON, and the 3500  $\mu$ F 450Vdc dc-link capacitor; the 3<sup>rd</sup> shelf has the LC-filter which consists of a 1.2 mH, 45A

3-phase inductor and three  $120\mu\text{F}$   $240\text{Vac}$  capacitors connected in wye configuration through damping resistors of  $320\ \Omega$  in each phase. The 4<sup>th</sup> shelf consists of the  $5\text{kVA}$   $\Delta$ -Y ( $120\text{V}/208\text{V}$ ) isolation transformer and a protection circuit breaker before the inverter system is connected to the grid. In Fig. 7 (b) the UCAP and the dc-dc converter system is shown with the dc-dc converter and the oscilloscope (MSO4034B used for recording the data) in the top shelf. The bottom shelf has 3 UCAPs connected in series and nominal load of  $213.5\Omega$ .



Fig. 7 (a) Sensor, Interface and DSP boards (1<sup>st</sup>), Dc-link capacitor and Inverter (2<sup>nd</sup>), LC filter (3<sup>rd</sup>), Isolation Transformer (4<sup>th</sup>)



Fig. 7 (b) Bi-directional dc-dc converter and MSO4034B oscilloscope (top shelf), UCAP and  $213.5\Omega$  load (bottom shelf)

In Fig. 8 (a) the experimental waveforms of the bi-directional dc-dc converter are shown with the UCAP voltage  $E_{cap}$  (CH1), the dc-link voltage  $V_{fdc}$  (CH2), the average UCAP current  $I_{ucav}$  (CH3) and the dc-link current  $I_{dclnk}$  (CH4). Fig. 8 (a) is divided into 7 zones which are labeled from 1 through 7 in the plots. In zone 1 the inverter is supplying

only reactive power and the dc-dc converter is maintaining a stiff dc-link voltage. Zone 2 is a transition mode in which the inverter is changing from supplying reactive power to active power. In Zone 3 the inverter is supplying only active power to the grid which is being discharged from the UCAP. In Zone 4 again the inverter is supplying only active power to the grid however; the amount of active power supplied to the grid in Zone 4 is less than that in Zone 3 which can be observed from  $I_{dclnk}$  trace. In Zone 5 inverter is absorbing active power from the grid which is used for charging the UCAP through the bi-directional dc-dc converter. Zone 6 is again a transition mode in which the inverter is changing from supplying active power to supplying reactive power to the grid. In Zone 7 again the inverter is supplying only reactive power to the grid and the dc-dc converter is maintaining a stiff dc-link voltage.

In Fig. 8 (b) the zoomed in view of zone 3 is shown from which it can be observed that the inverter current  $I_{apf2a}$  and voltage  $V_{sa}$  are almost in phase with little phase difference which clearly shows that the inverter is providing active power support to the grid. The RMS values of  $V_{sa}$  and  $I_{apf2a}$  are 7.5A and 122V respectively which translates to  $P_{inv}$  of 2703.3W and  $Q_{inv}$  of 476.6Var from (7) as the phase difference of  $10^\circ$  between  $V_{sa}$  and  $I_{apf2a}$ ; the results are similar for zone 4 where the commanded active power is comparatively less than that in zone 4. It is important to notice zones 3 and 4 of Fig. 8 (a) from which it can be seen that UCAP is discharging power rapidly in these zones therefore,  $E_{cap}$  is decreasing rapidly while  $V_{fdc}$  remains constant at 260V and  $I_{ucav}$  is increasing rapidly while average of  $I_{dclnkav}$  remains almost constant. In Fig. 8 (c) the zoomed in view of zone 7 is presented where the inverter is only supplying reactive power to the grid. It can be observed that  $I_{apf2a}$  is lagging  $V_{sa}$  by nearly  $90^\circ$  and their RMS

values are 10A and 122V respectively which translates to  $Q_{inv}$  of 3660Var from (7). Similarly, it can be noticed from zones 1 and 7 in Fig. 8 (a) that  $E_{cap}$  is almost constant while  $I_{ucav}$  and  $I_{dclnkav}$  are almost zero which proves that the active power discharged from the UCAP while providing reactive power support to the grid is minimal.

The bi-directional capability of the dc-dc converter which is necessary for absorbing excess power from DERs in renewable intermittency smoothing applications is shown in Fig. 8 (d) which is the zoomed in view of zone 5. To fully utilize the bi-directional capability of the inverter it must be controlled in such a way that it absorbs active power from the grid. In order to achieve this objective  $i_{qref}$  is set to positive 7A and it can be observed that  $I_{apf2a}$  and  $V_{sa}$  are  $180^\circ$  apart and their RMS values are 5A and 122V respectively which translates to  $P_{inv}$  of -1830W. The bi-directional dc-dc converter shifts its operation from Boost mode to Buck mode to absorb the power from the grid. Therefore, in zone 5 of Fig. 8 (a) it can be observed that both  $I_{ucav}$  and  $I_{dclnkav}$  are negative while the  $V_{fdc}$  is still constant at 260V and  $E_{cap}$  is increasing slowly while the UCAP is being charged from the power absorbed from the grid.

The differences between the simulation and experimental results for the inverter and the dc-dc converter during active power support (zones 3 and 4), reactive power support (zones 1 and 7) and renewable intermittency smoothing (zone 7) modes are compared in Table I. It can be seen from  $P_{inv}$  and  $Q_{inv}$  values obtained from simulation and experiment that there is a very close match between the two sets of results in all the four zones. The active power input to the inverter  $P_{dc}$  is also listed in Table I which was obtained from the product of the  $V_{fdc}$  and  $I_{dclnkav}$  which are available from Fig. 8 (a). Based on the experimental values of  $P_{dc}$  and  $P_{inv}$  the efficiency of the inverter can be

computed and it can be observed that the inverter is around 95% efficient in zone 3 and 93% efficient in zones 4 and 5. In zone 7 while providing reactive power support to the grid; the inverter consumes minimal active power from the grid which is for the dc-link capacitor losses which are not provided by the dc-dc converter therefore, inverter efficiency is not computed for this zone and it is not a performance measurement criterion when the system is in reactive power support mode.

TABLE I Shunt Inverter and Dc-dc converter Results

INVERTER SIMULATION AND EXPERIMENTAL RESULTS						
Zone	$P_{inv}$ (sim)	$Q_{inv}$ (sim)	$P_{inv}$ (exp)	$Q_{inv}$ (exp)	$P_{dc}$ (W)	$\eta$ (%)
3 ( $i_{qref}=-12$ )	2701	466	2703.3	476.66	2885.8	94.66
4 ( $i_{qref}=-10$ )	1731.6	277.3	1712.1	301.88	1781.6	92.79
5 ( $i_{qref}=+6$ )	-1791	75	-1828	63	-1675.4	92.97
7 ( $i_{dref}=-15$ )	-92	3570	-127	3657	-	-
DC-DC CONVERTER EXPERIMENTAL RESULTS						
Zone	$E_{cap}$ (V)	$I_{ucav}$ (A)	$I_{dclnk}$ (A)	$P_{in}$ (W)	$P_{out}$ (W)	$\eta$ (%)
3	126.0	28.0	10.9	3528	3193	89.92
4	94.0	25.0	6.8	2350	2098	89.28
5	110.0	-10.8	-5.2	-1288	-1358	87.48

The bi-directional dc-dc converter experimental results for zones 3, 4 and 5 where the converter provides active power support to the grid and absorbs active power from the grid are also presented in Table I. The voltage and current values listed in the table are the average for the given zone. It is important to note that the converter is around 90% efficient in zones 3, 4 and around 88% in zone 5 which indicates that the UCAP and bi-directional dc-dc converter operate efficiently while supplying active power to the grid and even while absorbing active power from the grid. It must be noted that the dc-dc converter efficiency can be further improved as these products become more prevalent on the distribution grid by reducing the switching losses using soft-switching schemes or

through the use of resonant topologies where the converter impedance and switching frequency vary to provide zero voltage switching thereby reducing the switching losses.

The bi-directional dc-dc converter experimental results for a mode transition from reactive power support mode to active power support mode (zone 2 to zone 3) are shown in Fig. 8 (e). This mode transition has the maximum amount of active power exchange and therefore, the ripple in the dc-link voltage  $V_{fdc}$  will be maximum for this case. It can be observed from Fig. 8 (e) that the overshoot in dc-link voltage  $V_{fdc}$  is around 20V which is less than 10% of the output voltage and the settling time is around 340ms. In Figs. 9 (a) and (b) the UCAP-APF system performance when the system experiences unbalanced voltage sag are presented. It can be observed from Fig. 9 (a) that when a 20% voltage sag is generated in phases  $a$  and  $b$  the system voltages  $V_{sa}$  and  $V_{sb}$  experience a voltage sag. However, the inverter current  $I_{apf2a}$  remains constant at  $7.5A_{rms}$  while providing active power support to the grid even after the system experiences unbalanced voltage sag. This clearly indicates that the PLL tracks the fundamental component even during unbalanced scenarios which allows the UCAP-APF system to provide active and reactive power support to the grid under unbalanced conditions. From the bi-directional dc-dc converter waveforms shown in Fig. 9 (b) it can be observed that during the unbalanced voltage sag which lasts for 1 second the dc-link voltage  $V_{fdc}$  has slight fluctuations and settles down to steady state value of 260V very fast.



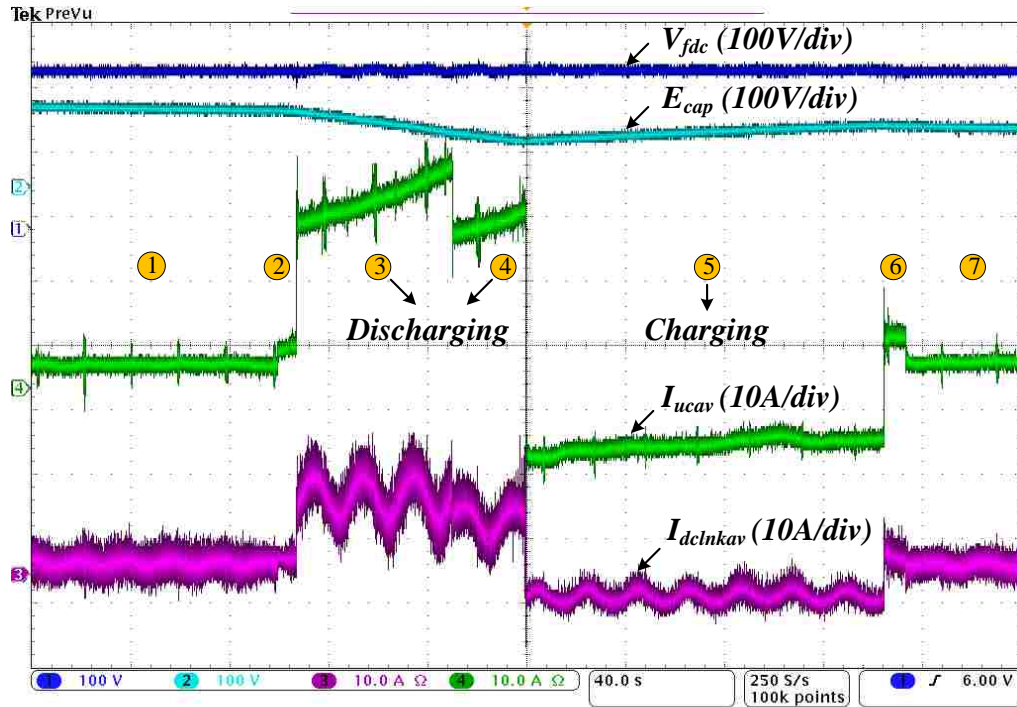


Fig. 8 (a) Bi-directional dc-dc converter waveforms  $V_{fdc}$  (CH1),  $E_{cap}$  (CH2),  $I_{dcLink}$  (CH3) and  $I_{ucav}$  (CH4)

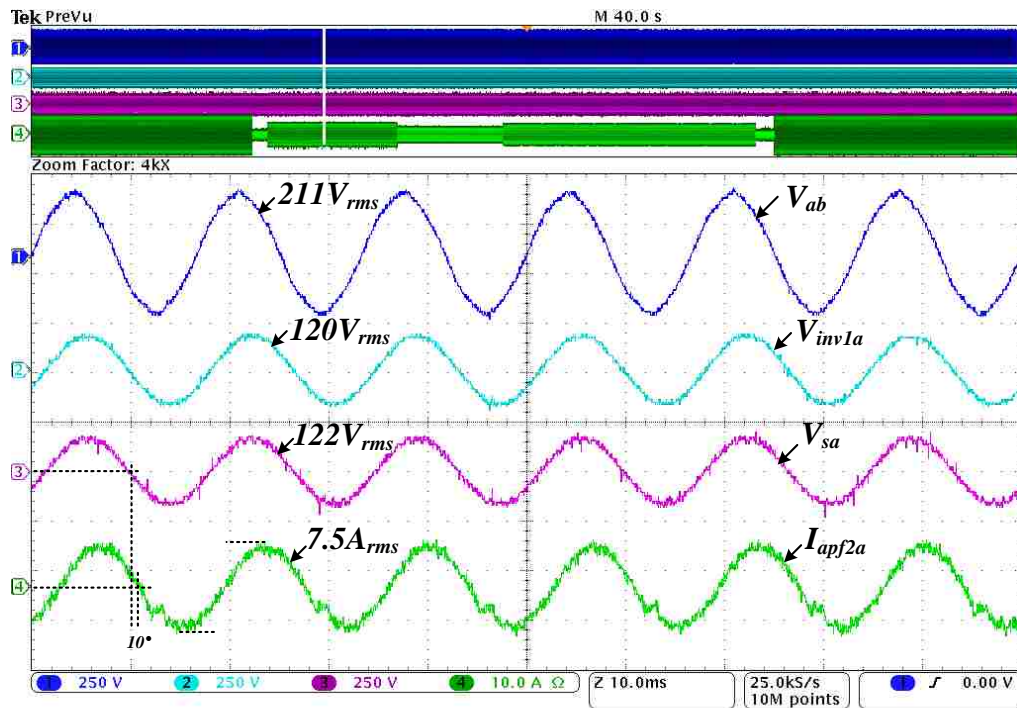


Fig. 8 (b) Inverter experimental waveforms  $V_{ab}$  (CH1),  $V_{inv1a}$  (CH2),  $V_{sa}$  (CH3) and  $I_{apf2a}$  (CH4) for zone 3 (active power support  $i_{qref} = -12.0A$ )

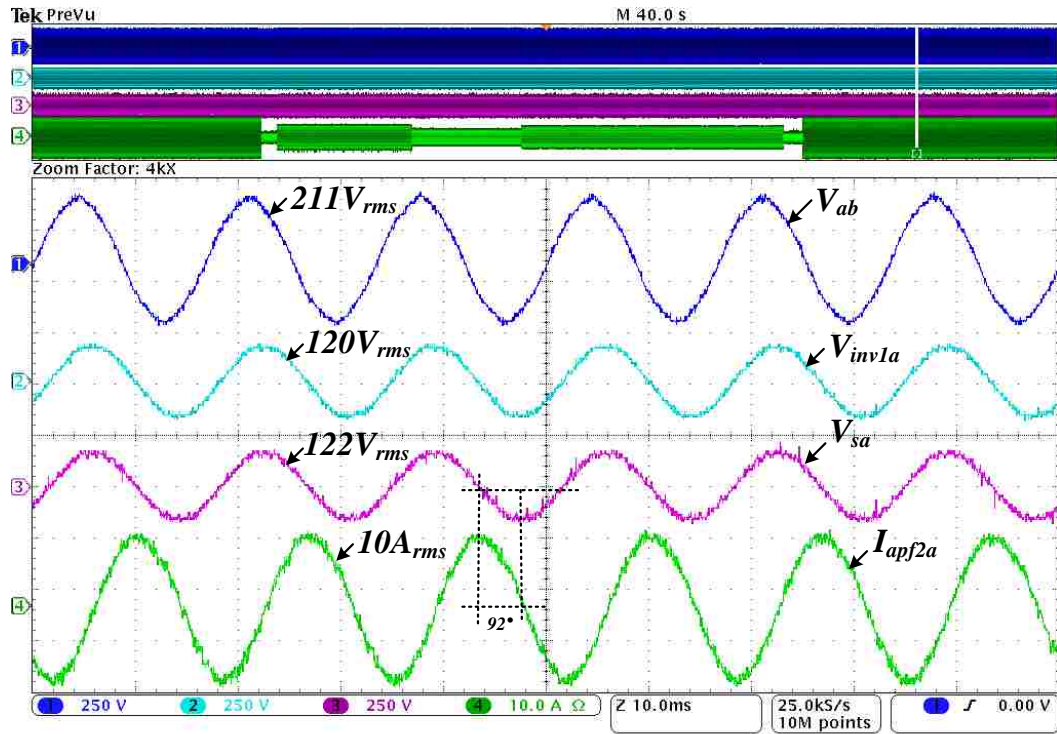


Fig. 8 (c) Inverter experimental waveforms  $V_{ab}$  (CH1),  $V_{inv1a}$  (CH2),  $V_{sa}$  (CH3) and  $I_{apf2a}$  (CH4) for zone 7 (reactive power support  $i_{dref} = -15.0A$ )

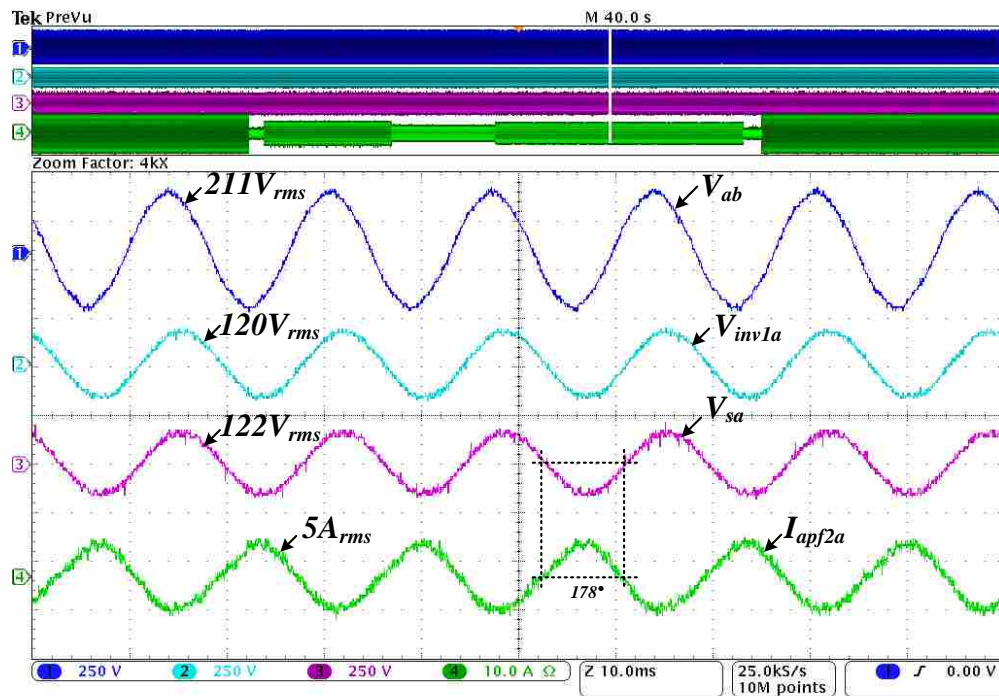


Fig. 8 (d) Inverter experimental waveforms  $V_{ab}$  (CH1),  $V_{inv1a}$  (CH2),  $V_{sa}$  (CH3) and  $I_{apf2a}$  (CH4) for zone 5 (absorbing power from grid  $i_{qref} = 7.0A$ )

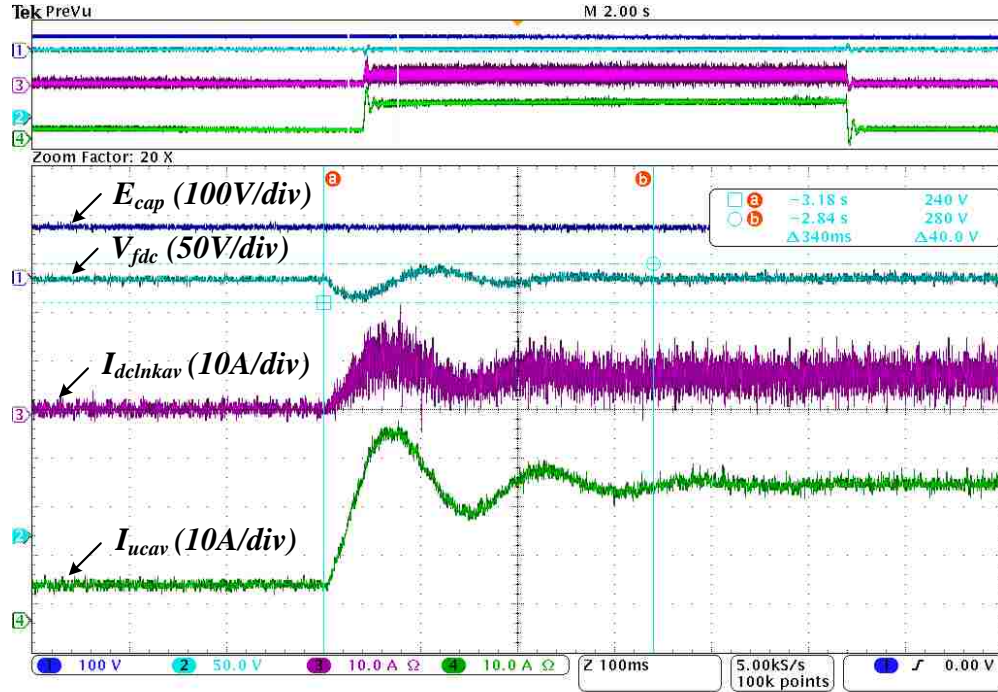


Fig. 8 (e) Bi-directional dc-dc converter waveforms showing transient response during mode transition to active power support mode

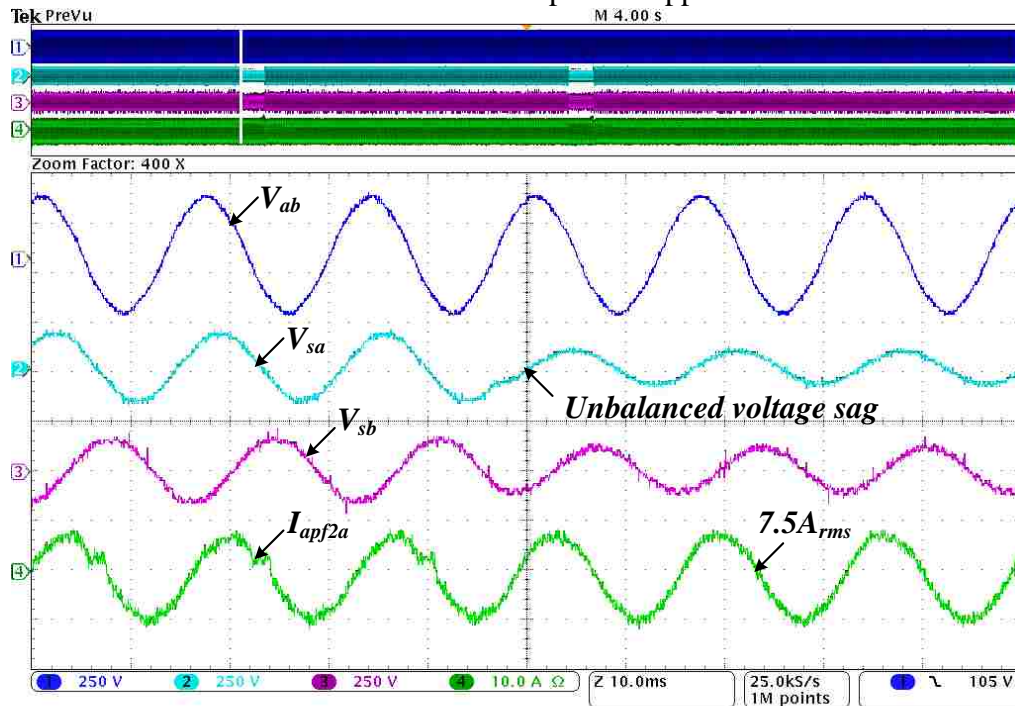


Fig. 9 (a) Inverter experimental waveforms  $V_{ab}$  (CH1),  $V_{sb}$  (CH2),  $V_{sa}$  (CH3) and  $I_{apf2a}$  (CH4) for active power support  $i_{qref} = -12.0A$  during an unbalanced sag in phases  $a$  and  $b$



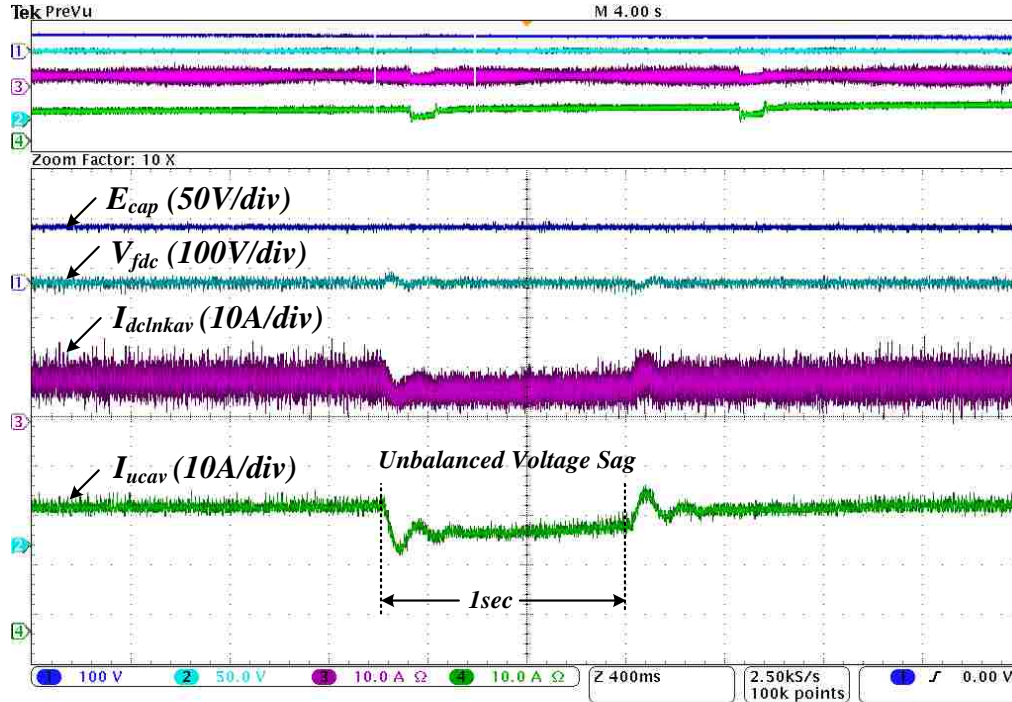


Fig. 9 (b) Bi-directional dc-dc converter waveforms showing transient response in active power support mode during an unbalanced sag in phases  $a$  and  $b$

## VI. CONCLUSION

In this paper, the concept of using a UCAP integrated APF design which provides active power support, reactive power support and renewable intermittency smoothing to the low voltage distribution grid is explored. The UCAP integration through a bi-directional dc-dc converter at the dc-link of a grid-tied inverter is proposed. The power stage and control strategy of the grid-tied inverter are discussed. The control strategy of the inverter which is a modified version of the  $i_d$ - $i_q$  method is ideal for supplying as well as absorbing the commanded active or reactive power to the grid. Designs of major components in the power stage of the bi-directional dc-dc converter are presented. Average current mode control is used to regulate the output voltage of the dc-dc

converter due to its inherently stable characteristic. A Higher level integrated controller which takes decisions based on the system parameters provides inputs to the inverter and dc-dc converter controllers to carry out their control actions. The simulation of the integrated system which consists of the UCAP, bi-directional dc-dc converter, and the grid-tied inverter is carried out using PSCAD. Hardware experimental setup of the same integrated system is presented and the ability to provide active power support, reactive power support and renewable intermittency smoothing to the distribution grid is dynamically tested. Results from simulation and experiment agree well with each other thereby verifying the concepts introduced in this paper. Similar UCAP based energy storages can be deployed in the future in a micro-grid or a low voltage distribution grid to respond to dynamic requests in active and reactive power and to smooth the intermittencies in the output of various renewable energy sources.

## REFERENCES

- [1] J. Rittershausen and M. McDonagh, "Moving energy storage from concept to reality: Southern California Edison's approach to evaluating energy storage," [http://www.edison.com/files/WhitePaper\\_SCEsApproachtoEvaluatingEnergyStorage.pdf](http://www.edison.com/files/WhitePaper_SCEsApproachtoEvaluatingEnergyStorage.pdf) accessed on Aug. 2<sup>nd</sup>, 2013.
- [2] P. F. Ribeiro, B. K. Johnson, M. L. Crow, A. Arsoy and Y. Liu, "Energy storage systems for advanced power applications," *Proc. IEEE*, vol. 89, no. 12, pp. 1744-1756, Dec. 2001.
- [3] M. Branda, H. Johal and L. Ion, "Energy storage for LV grid support in Australia," in *Proc. IEEE Innov. Smart Grid Tech. Asia (ISGT)*, pp. 1-8, 13-16 Nov. 2011.
- [4] A. B. Arsoy, Y. Liu, P. F. Ribeiro and F. Wang, "StatCom-SMES," *IEEE Ind. Appl. Mag.*, vol. 9, no. 2, pp. 21-28, Mar. 2003.
- [5] K. Sahay and B. Dwivedi, "Supercapacitor energy storage system for power quality improvement: An overview," *Journal of Energy Sources*, pp. 1-8, 2009.

- [6] W. Li, G. Joos and J. Belanger, "Real-time simulation of a wind turbine generator coupled with a battery supercapacitor energy storage system," *IEEE Trans. on Ind. Electron*, vol. 57, no. 4, pp. 1137 - 1145, Apr. 2010.
- [7] M. Ortuzar, J. Moreno and J. Dixon, "Ultracapacitor-based auxiliary energy system for an electric vehicle: Implementation and evaluation," *IEEE Trans. on Ind. Electron*, vol. 54, no. 4, pp. 2147-2156, Aug. 2007.
- [8] Y. Chen and K. Smedley, "Three-phase boost-type grid-connected inverter," *IEEE Trans. Power Electron*, vol. 23, no. 5, pp. 2301-2309, Sept. 2008.
- [9] M. Chincilla, S. Arnalte, J. C. Burgos and J. L. Rodriguez, "Power limits grid-connected modern wind energy systems," *Renewab. Energy*, vol. 31, no. 9, pp. 1455-1470, Jul. 2006.
- [10] L. H. Walker, "10-MW GTO converter for battery peaking service," *IEEE Trans. Ind. Appl.*, vol. 1, no. 26, Feb. 1990.
- [11] D. Casadei, G. Grandi and C. Rossi, "A Supercapacitor-based power conditioning system for power quality improvement and uninterruptible power supply," in Proc. *IEEE Conf. Ind. Electron.*, vol. 4, pp. 1247-1252, 2002.
- [12] M.E. Ortuzar, R.E. Carmi, J.W. Dixon and L. Moran, "Voltage-source active power filter based on multilevel converter and ultracapacitor DC link," *IEEE Trans. on Ind. Electron*, vol. 53, no. 2, pp. 477- 485, Apr. 2006.
- [13] B. M. Han and B. Bae, "Unified power quality conditioner with super-capacitor for energy storage," *European Trans. Electric Power*, vol. 18, pp. 327-343, Apr. 2007.
- [14] H. Akagi, Y. Kanazawa and A. Nabae, "Instantaneous reactive power compensators comprising switching devices without energy storage components," *IEEE Trans. Ind. Appl.*, vol. IA-20, pp. 625-630, Jun. 1984-2006.
- [15] H. Akagi, E. H. Watanabe and M. Aredes, *Instantaneous Reactive Power Theory and Applications to Power Conditioning*, 1st ed. John Wiley & sons, IEEE Press, 2007.
- [16] V. Soares, P. Verdelho and G. D. Marques, "An instantaneous active and reactive current component method for active filters," *IEEE Trans. Power Electron*, vol. 15, no. 4, pp. 660-669, Jul. 2000.
- [17] B. Singh, V. Verma and J. Solanki, "Neural network based selective compensation of current quality problems in distribution system," *IEEE Trans. Ind. Electron*, vol. 57, no. 1, pp. 53-60, Feb. 2007.
- [18] [http://batteryuniversity.com/learn/article/whats\\_the\\_role\\_of\\_the\\_supercapacitor](http://batteryuniversity.com/learn/article/whats_the_role_of_the_supercapacitor)

- [19] J. R. Miller and A. F. Burke, “Electrochemical capacitors: Challenges and opportunities for real world applications,” *Electrochemical. Soc. Interface*, 17 Springer (2008), pp. 53–57.
- [20] [http://www.netl.doe.gov/technologies/coalpower/fuelcells/seca/tutorial/TutorialIII\\_files/TutorialII.pdf](http://www.netl.doe.gov/technologies/coalpower/fuelcells/seca/tutorial/TutorialIII_files/TutorialII.pdf)
- [21] P. J. Grbovic, P. Delarue, P. Le Moigne and P. Bartholomeus, “A bidirectional three-level dc–dc converter for the ultracapacitor applications,” *IEEE Trans. on Ind. Electron*, vol. 57, no. 10, pp. 3415 - 3430 , Oct. 2010.
- [22] G. Ma, W. Qu, G. Yu, Y. Liu, N. Liang and W. Li, “A zero-voltage-switching bidirectional dc–dc converter with state analysis and soft-switching-oriented design consideration,” *IEEE Trans. on Ind. Electron*, vol. 56, no. 6, pp. 2174-2184, Jun. 2009.
- [23] R. W. Erickson and D. Maksimovic, *Fundamentals of Power Electronics*, 2nd ed. Norwell, M. A. Kluwer, 2001.

## II. An Integrated Dynamic Voltage Restorer-Ultracapacitor Design for Improving Power Quality of the Distribution Grid

D. Somayajula, Student Member, *IEEE*, M. L. Crow, Fellow, *IEEE*

*Abstract*—Energy storage technologies are increasing their presence in the market and integration of these technologies into the power grid is slowly becoming a reality. Dynamic Voltage Restorer has been used in the past to provide voltage sag and swell compensation to prevent sensitive loads from voltage disturbances on the utility side. In this paper the concept of integrating ultracapacitor (UCAP) based energy storage into the dynamic voltage restorer topology has been explored. With this integration the DVR will be able to independently compensate voltage sags and swells without relying on the grid to compensate for faults on the grid. UCAPs have low energy density and high power density ideal characteristics for compensation of voltage sags and voltage swells which are both high power low energy events. UCAP is integrated into dc-link of the DVR through a bi-directional dc-dc converter which helps in providing stiff dc-link voltage and the integration helps in compensating deeper voltage sags, voltage swells for longer durations. Design and control of both the dc-ac inverter and the dc-dc converter are discussed. The simulation model of the overall system is developed and compared to the experimental hardware setup.

*Index Terms*- UCAP, DVR, dc-dc converter, DSP, sag/swell, d-q control, PLL, energy storage integration

### I. INTRODUCTION

The concept of using inverter based Dynamic voltage restorers for preventing customers from momentary voltage disturbances on the utility side was demonstrated for the first time by Woodley et al [1]. The concept of using the dynamic voltage restorer



(DVR) as a power quality product has gained significant popularity since its first use. In [1], the authors propose the usage of the DVR with rechargeable energy storage at the dc-terminal to meet the active power requirements of the grid during voltage disturbances. In order to avoid and minimize the active power injection into the grid the authors also mention an alternative solution which is to compensate for the voltage sag by inserting a lagging voltage in quadrature with the line current. Due to the high cost of rechargeable energy storage various other types of control strategies have also been developed in the literature [2-8] to minimize the active power injection from the DVR. The high cost of the rechargeable energy storage prevents the penetration of the dynamic voltage restorer as a power quality product. However, the cost of rechargeable energy storage has been decreasing drastically in the recent past due to various technological developments and due to higher penetration in the market in the form of auxiliary energy storage for distributed energy resources (DERs) like wind, solar, HEVs and PHEVs [9, 10]. Therefore, there has been renewed interest in the literature [10-17] to integrate rechargeable energy storage again at the dc-terminal of power quality products like STATCOM and DVR.

Various types of rechargeable energy storage technologies based on Superconducting magnets (SMES), flywheels (FESS), batteries (BESS) and Ultra-capacitors (UCAPs) are compared in [10] for integration into advanced power applications like DVR. Efforts have been made to integrate energy storage into the DVR system which will give the system active power capability which makes it independent of the grid during voltage disturbances. In [11] cascaded H-bridge based DVR with a thyristor controlled inductor is proposed in order to minimize the energy storage

requirements. In [12] flywheel energy storage is integrated into the DVR system to improve its steady state series and shunt compensation.

Of all the rechargeable energy storage technologies UCAPs are ideally suited for applications which need active power support in the *milliseconds* to *seconds* timescale [10], [13], [14]. Therefore, UCAP based integration into the DVR system is ideal as the normal duration of momentary voltage sags and swells is in the *milliseconds* to *seconds* range [15]. UCAPs have low energy density and high power density ideal characteristics for compensating voltage sags and voltage swells which are both events which require high amount of power for short spans of time. UCAPs also have higher number of charge/discharge cycles when compared to batteries and for the same module size UCAPs have higher terminal voltage when compared to batteries which makes the integration easier. With the prevalence of renewable energy sources on the distribution grid and the corresponding increase in power quality problems the need for DVRs on the distribution grid is increasing [16]. Super-capacitor based energy storage integration into the DVR for the distribution grid is proposed in [16] and [17]. However, the concept is introduced only through simulation and experimental results are not presented. *In the present paper UCAP based energy storage integration to a DVR into the distribution grid is proposed and the following application areas are addressed,*

- Integration of the UCAP with DVR system gives the system active power capability which is necessary for independently compensating voltage sags and swells
- Experimental validation of the UCAP, dc-dc converter, inverter their interface and control

- Development of inverter and dc-dc converter controls to provide Sag and Swell compensation to the distribution grid
- Hardware integration and performance validation of the integrated DVR-UCAP system

## II. THREE-PHASE SERIES INVERTER

### A. Power Stage

The one line diagram of the system is shown in Fig. 1. The power stage is a 3-phase voltage source inverter which is connected in series to the grid and is responsible for compensating the voltage sags and swells; the model of the Series DVR and its controller is shown in Fig. 2. The inverter system consists of an IGBT module, its gate-driver, LC filter and an isolation transformer. The dc-link voltage  $V_{dc}$  is regulated at 260V for optimum performance of the converter and the line-line voltage  $V_{ab}$  is 208V; based on these the modulation index  $m$  of the inverter is given by:

$$m = \frac{2\sqrt{2}}{\sqrt{3}V_{dc} * n} V_{ab(rms)} \quad (1)$$

where  $n$  is the turns ratio of the isolation transformer. Substituting  $n$  as 2.5 in (1) the required modulation index is calculated as 0.52. Therefore, the output of the dc-dc converter should be regulated at 260V for providing accurate voltage compensation. The objective of the integrated UCAP-DVR system with active power capability is to compensate for *temporary voltage sag* (0.1-0.9pu) and *voltage swell* (1.1-1.2pu) which last from 3s-1min [15].

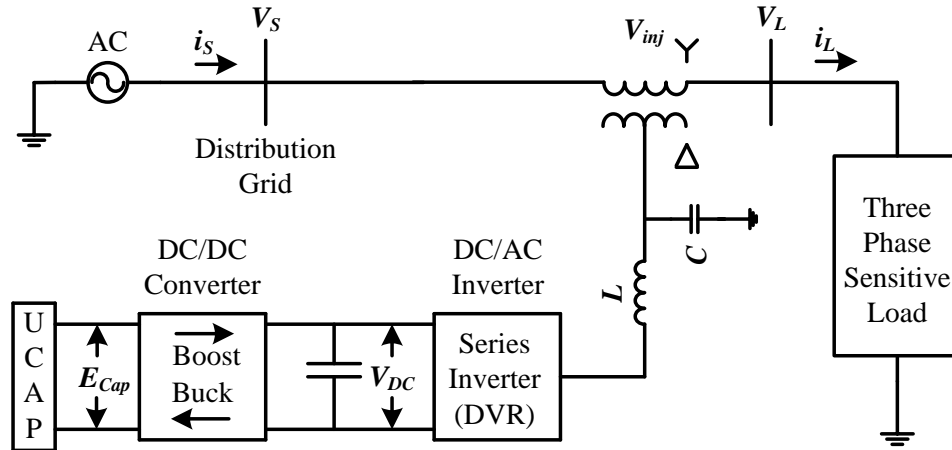


Fig. 1 One line diagram of DVR with UCAP Energy Storage

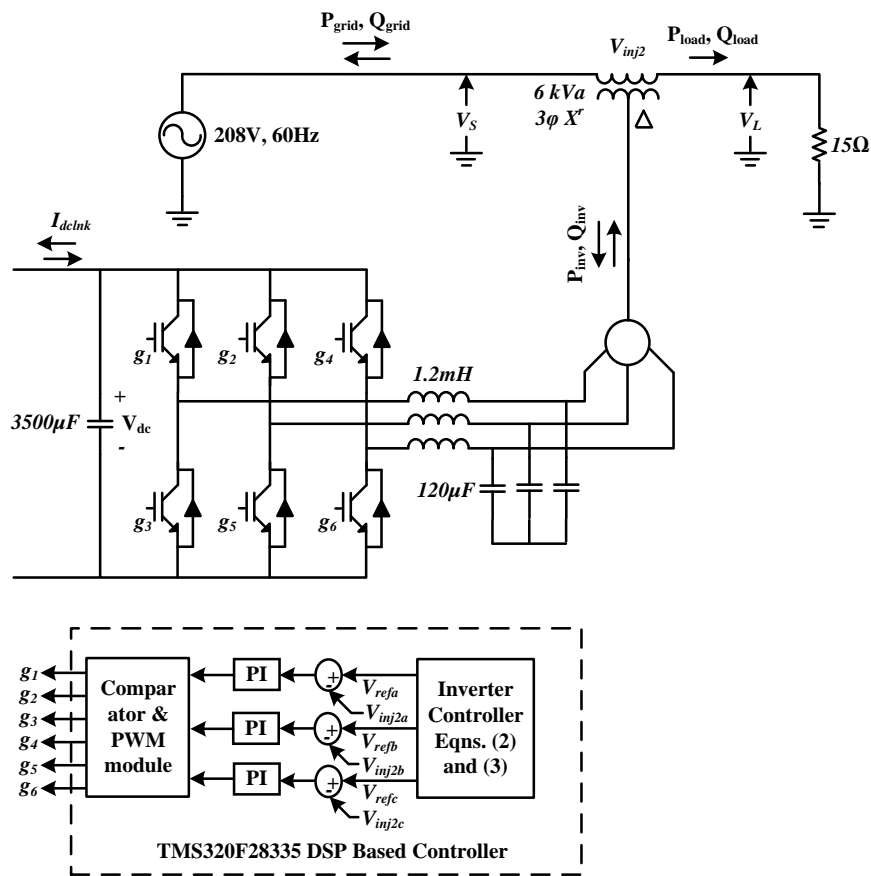


Fig. 2 Model of three-phase Series inverter (DVR) and its controller

### *B. Controller Implementation*

There are various methods to control the series inverter to provide Dynamic Voltage restoration and most of them rely on injecting a voltage in quadrature with advanced phase so that reactive power is utilized in voltage restoration [3]. Phase advanced voltage restorations techniques are complex in implementation but the primary reason for using these techniques is to minimize the active power support and thereby the amount of energy storage requirement at the dc-link in order to minimize the cost of energy storage. However, the cost of energy storage has been declining and with the availability of active power support at the dc-link complicated phase-advanced techniques can be avoided and voltages can be injected in-phase with the system voltage during a voltage sag or a swell event. The control method requires the use of a PLL to find the rotating angle  $\theta$ . As discussed previously the goal of this project is to use the active power capability of the UCAP-DVR system and compensate temporary voltage sags and swells.

The inverter controller implementation is based on injecting voltages in-phase with the supply side line-neutral voltages. This requires PLL for estimating  $\theta$  which has been implemented using the fictitious power method described in [18]. Based on the estimated  $\theta$  and the line-line source voltages  $V_{ab}$ ,  $V_{bc}$ ,  $V_{ca}$  (which are available for this delta-sourced system) are transformed into the d-q domain and the line-neutral components of the source voltage  $V_{sa}$ ,  $V_{sb}$  and  $V_{sc}$  which are not available can then be estimated using:

$$\begin{bmatrix} V_{sa} \\ V_{sb} \\ V_{sc} \end{bmatrix} = \begin{bmatrix} 1 & 0 \\ -1 & \frac{\sqrt{3}}{2} \\ -1 & -\frac{\sqrt{3}}{2} \end{bmatrix} \begin{bmatrix} \cos\left(\theta - \frac{\pi}{6}\right) & \sin\left(\theta - \frac{\pi}{6}\right) \\ -\sin\left(\theta - \frac{\pi}{6}\right) & \cos\left(\theta - \frac{\pi}{6}\right) \end{bmatrix} \begin{bmatrix} \frac{V_d}{\sqrt{3}} \\ \frac{V_q}{\sqrt{3}} \end{bmatrix} \quad (2)$$

$$\begin{bmatrix} V_{refa} \\ V_{refb} \\ V_{refc} \end{bmatrix} = m * \begin{bmatrix} \left(\sin\theta - \frac{V_{sa}}{169.7}\right) \\ \left(\sin\left(\theta - \frac{2\pi}{3}\right) - \frac{V_{sb}}{169.7}\right) \\ \left(\sin\left(\theta + \frac{2\pi}{3}\right) - \frac{V_{sc}}{169.7}\right) \end{bmatrix} \quad (3)$$

$$P_{inv} = 3V_{inj2a(rms)}I_{La(rms)} \cos \varphi \quad (4)$$

$$Q_{inv} = 3V_{inj2a(rms)}I_{La(rms)} \sin \varphi$$

These voltages are normalized to unit sine waves using line-neutral system voltage of  $120V_{rms}$  as reference and compared to unit sine waves *in-phase* with actual system voltages  $V_s$  from (3) to find the injected voltage references  $V_{ref}$  necessary to maintain a constant voltage at the load terminals where  $m$  is 0.52 from (1). Therefore, whenever there is a voltage sag or swell on the source side a corresponding voltage  $V_{inj2}$  is injected in-phase by the DVR and UCAP system to negate the effect and retain a constant voltage  $V_L$  at the load end. The actual active and reactive power supplied by the series inverter can be computed using (4) from the RMS values of injected voltage  $V_{inj2a}$  and load current  $I_{La}$  and  $\varphi$  is the phase difference between the two waveforms. The complete inverter control algorithm is implemented in the DSP TMS320F28335 which has a clock frequency of 150MHz, an inbuilt A/D module, PWM module and real-time emulation which are all ideal for this application.

### III. UCAP AND BI-DIRECTIONAL DC-DC CONVERTER

#### A. UCAP Bank Hardware Setup

The choice of the number of UCAPs necessary for providing grid support depends on the amount of support needed, terminal voltage of the UCAP, dc-link voltage and distribution grid voltages. For a 260V dc-link voltage it is practical and cost effective to use 3 modules in the UCAP bank. Therefore, in this paper the experimental setup consists of three 48V, 165F UCAPs (BMOD0165P048) manufactured by Maxwell Technologies which are connected in series. Assuming that the UCAP bank can be discharged to 50% of its initial voltage ( $V_{uc,ini}$ ) to final voltage ( $V_{uc,fin}$ ) from 144V to 72V which translates to depth of discharge of 75%, the energy in the UCAP bank available for discharge is given by:

$$E_{UCAP} = \frac{1}{2} * C * \frac{(V_{uc,ini}^2 - V_{uc,fin}^2)}{60} \text{ W - min}$$

$$E_{UCAP} = 1/2 * 165/3 * (144^2 - 72^2)/60 \quad (5)$$

$$=7128 \text{ W-min}$$

#### B. Bi-directional Dc-dc Converter and Controller

A UCAP cannot be directly connected to the dc-link of the inverter like a battery as the voltage profile of the UCAP varies as it discharges energy. Therefore, there is a need to integrate the UCAP system through a bi-directional dc-dc converter which maintains a stiff dc-link voltage as the UCAP voltage decreases while “Discharging” and increases while “Charging”. The model of the bi-directional dc-dc converter and its controller are shown in Fig. 3 where the input consists of 3 UCAPs connected in series and the output consists of a nominal load of  $213.5\Omega$  to prevent operation at no-load and

the output is connected to the dc-link of the inverter. The amount of active power support required by the grid during a voltage sag event is dependent on the depth and duration of the voltage sag and the dc-dc converter should be able to withstand this power during “*Discharge*” mode. The dc-dc converter should also be able to operate in bi-directional mode to be able to “*Charge*” or absorb additional power from the grid during voltage swell event. In this paper the bi-directional dc-dc converter acts as a boost converter while “*discharging*” power from the UCAP and acts as a buck converter while “*charging*” the UCAP from the grid.

Average current mode control which is widely explored in literature [19] is used to regulate the output voltage of the bi-directional dc-dc converter in both *Buck* and *Boost* modes while *Charging* and *Discharging* the UCAP bank. This method tends to be more stable when compared to other methods like voltage mode control and peak current mode control. Average current mode controller is shown in Fig. 3 where the dc-link and actual output voltage  $V_{out}$  is compared with the reference voltage  $V_{ref}$  and the error is passed through the voltage compensator  $C_I(s)$  which generates the average reference current  $I_{ucref}$ . When the inverter is *discharging* power into the grid during voltage sag event the dc-link voltage  $V_{out}$  tends go below the reference  $V_{ref}$  and the error is positive  $I_{ucref}$  is positive and the dc-dc converter operates in *Boost* Mode. When the inverter is absorbing power from the grid during voltage swell event or *charging* the UCAP,  $V_{out}$  tends to increase above the reference  $V_{ref}$  and the error is negative,  $I_{ucref}$  is negative and the dc-dc converter operates in *Buck* Mode. Therefore, the sign of the error between  $V_{out}$  and  $V_{ref}$  determines the sign of  $I_{ucref}$  and thereby the direction of operation of the bidirectional dc-dc converter. The reference current  $I_{ucref}$  is then compared to the actual UCAP current



(which is also the inductor current)  $I_{uc}$  and the error is then passed through the current compensator  $C_2(s)$ . The compensator transfer functions which provide a stable response are given by:

$$C_1(s) = 1.67 + \frac{23.81}{s} \quad (6)$$

$$C_2(s) = 3.15 + \frac{1000}{s} \quad (7)$$

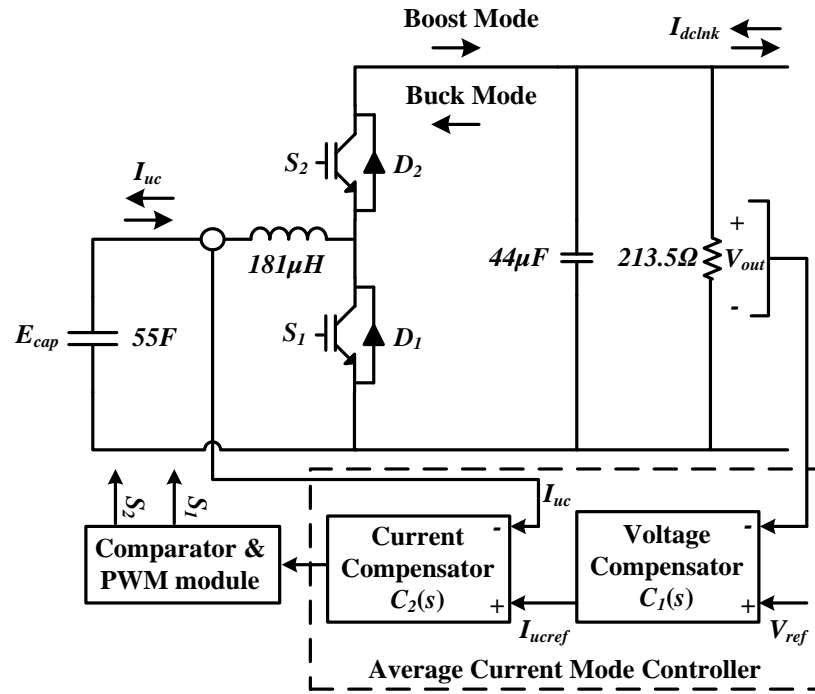


Fig. 3 Model of the bi-directional dc-dc converter and its controller

#### IV. SIMULATION RESULTS

The simulation of the proposed UCAP integrated DVR system is carried out in PSCAD for a 208V, 60Hz system where 208V is 1pu. The system response for a three-phase voltage sag which lasts for 0.1s and has a depth of 0.84pu is shown in Figs. 4 (a)-(e). It can be observed from Fig. 4 (a) that during voltage sag the source voltage  $V_{srms}$  is

reduced to 0.16pu while the load voltage  $V_{Lrms}$  is maintained constant at around 0.9pu due to voltages injected *in-phase* by the series inverter. This can also be observed from the plots of the line-line source voltages ( $V_{sab}, V_{sbc}, V_{sca}$ ) Fig. 4 (b), the line-line load voltages ( $V_{Lab}, V_{Lbc}, V_{Lca}$ ) Fig. 4 (c) and the line-neutral injected voltages of the series inverter ( $V_{inj2a}, V_{inj2b}, V_{inj2c}$ ) Fig. 4 (d). Finally, it can be observed from Fig. 4 (e) that  $V_{inj2a}$  lags  $V_{sab}$  by  $30^\circ$  which indicates that it is *in-phase* with the line-neutral source voltage  $V_{sa}$ . In Fig. 5 (a) plots of the bi-directional dc-dc converter are presented and it can be observed that the dc-link voltage  $V_{fdc}$  is regulated at 260V, the average dc-link current  $I_{dclnkav}$  and the average UCAP current  $I_{ucav}$  increase to provide the active power required by the load during the sag. Though the UCAP is discharging the change in the UCAP voltage  $E_{cap}$  is not visible in this case due to the short duration of the simulation which is due to limitations in PSCAD software. It can also be observed from the various active power plots shown in Fig. 5 (b) where the power supplied to the load  $P_{load}$  remains constant even during the voltage sag when the grid power  $P_{grid}$  is decreasing. The active power deficit of the grid is met by the inverter power  $P_{inv}$  which is almost equal to the input power to the inverter  $P_{dc\_in}$  available from the UCAP. Therefore, it can be concluded from the plots that the active power deficit between the grid and load during the voltage sag event is being met by the integrated UCAP-DVR system through the bidirectional dc-dc converter and the inverter. Similar analysis can also be extended for voltage sags which occur in one of the phases (A, B or C) or in two of the phases (AB, BC or CA). However, the active power requirement is greatest for the case where all the three phases ABC experience voltage sag.

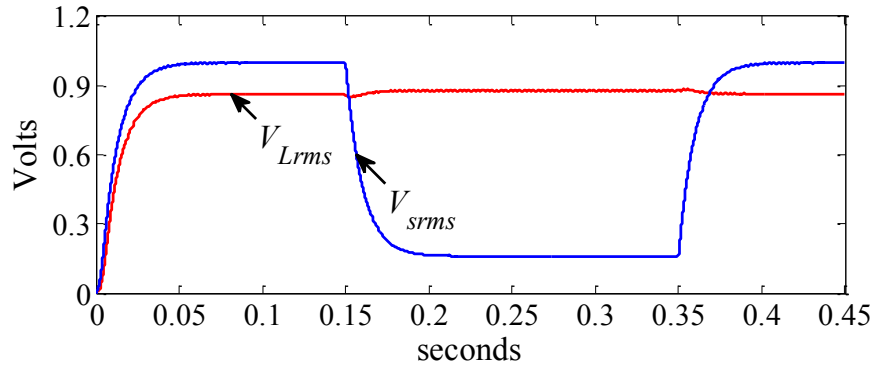


Fig. 4 (a) Source and load RMS voltages  $V_{srms}$  and  $V_{Lrms}$  during sag

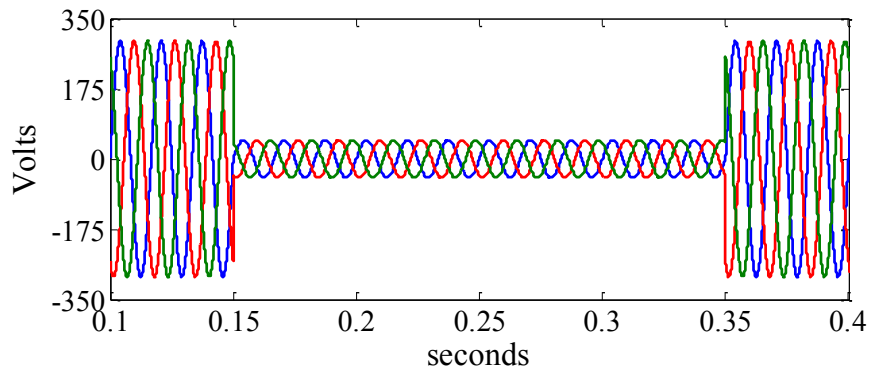


Fig. 4 (b) Source voltages  $V_{sab}$  (blue),  $V_{sbc}$  (red),  $V_{sca}$  (green) during sag

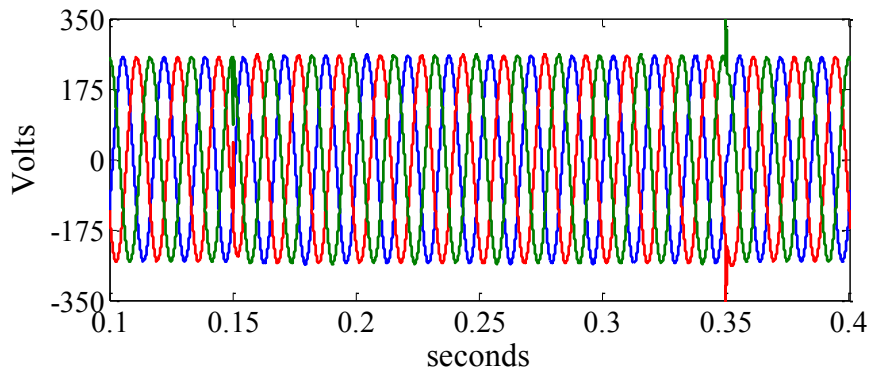


Fig. 4 (c) Load voltages  $V_{Lab}$  (blue),  $V_{Lbc}$  (red),  $V_{Lca}$  (green) during sag

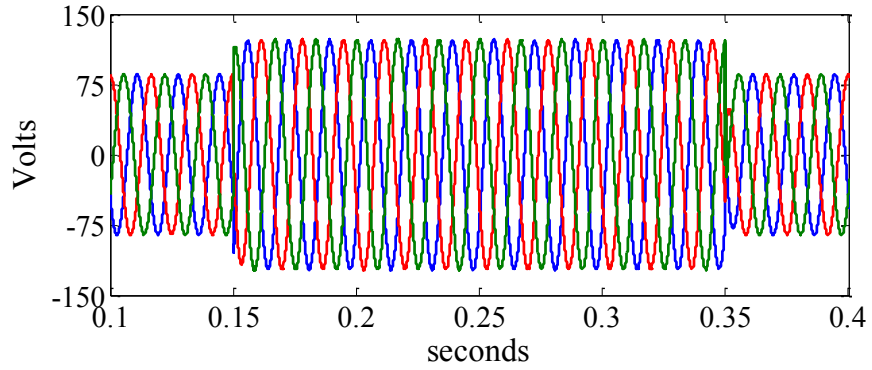


Fig. 4 (d) Injected voltages  $V_{inj2a}$  (blue),  $V_{inj2b}$  (red),  $V_{inj2c}$  (green) during sag

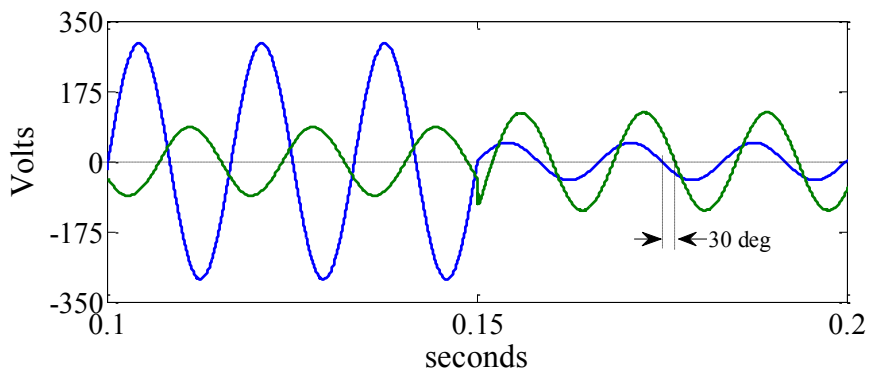


Fig. 4 (e)  $V_{inj2a}$  (green) and  $V_{sab}$  (blue) waveforms during sag

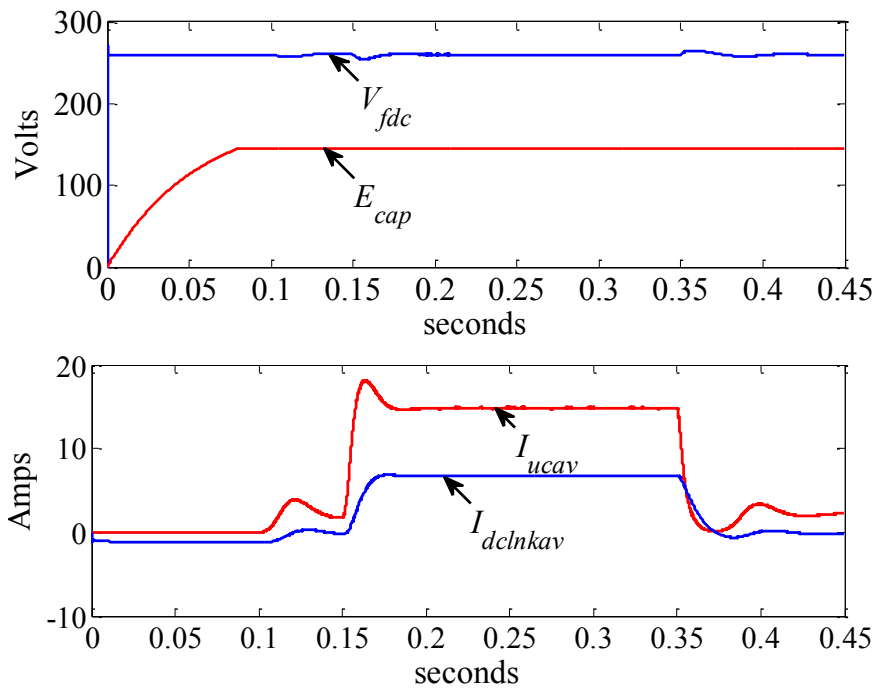


Fig. 5 (a) Currents and voltages of dc-dc converter

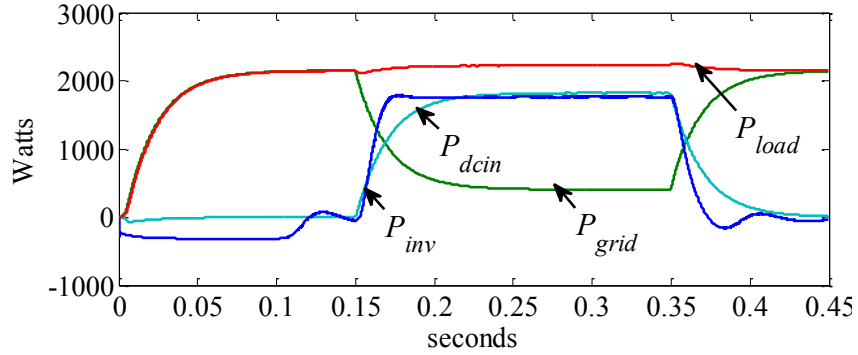


Fig. 5 (b) Active power of grid, load and inverter during voltage sag

The system response for a three-phase voltage swell which lasts for 0.1s and has a magnitude of 1.2pu is shown in Figs. 6 (a)-(e). It can be observed that during voltage swell the source voltage  $V_{srms}$  increases to 1.2pu while the load voltage  $V_{Lrms}$  is maintained constant at around 1pu due to voltages injected *in-phase* by the series inverter. This can also be observed from the plots of the line-line source voltages ( $V_{sab}$ ,  $V_{sbc}$ ,  $V_{sca}$ ) Fig. 6 (a), the line-line load voltages ( $V_{Lab}$ ,  $V_{Lbc}$ ,  $V_{Lca}$ ) Fig. 6 (b) and the line-neutral injected voltages of the series inverter ( $V_{inj2a}$ ,  $V_{inj2b}$ ,  $V_{inj2c}$ ) Fig. 6 (c). Finally, it can be observed that  $V_{inj2a}$  lags  $V_{sab}$  by  $150^\circ$  which indicates that it is  $180^\circ$  out of phase with the line-neutral source voltage  $V_{sa}$  as required by the in-phase control algorithm. In Fig. 7 (a) plots of the bi-directional dc-dc converter are presented and it can be observed that the dc-link voltage  $V_{fdc}$  is regulated at 260V, the average dc-link current  $I_{dclnkav}$  and the average UCAP current  $I_{ucav}$  change direction to absorb the additional active power from the grid into the UCAP during the voltage swell event. The overshoot in  $I_{ucav}$  and  $I_{dclnkav}$  during startup at 0.1s and during mode changes at 0.15s and 0.35s is due to the mismatch between the breaker action and the compensator action in PSCAD which is a modeling problem present in the simulation and does not show in the experimental results. Again due to PSCAD limitations which restrict the duration of the simulation the

increase in  $E_{cap}$  due to charging of the UCAP during the voltage swell is not visible. This can also be observed from the various active power plots where the power supplied to the load  $P_{load}$  remains constant even during the voltage swell when the grid power  $P_{grid}$  is increasing. It can be observed from the inverter power  $P_{inv}$  and inverter input power  $P_{dc\_in}$  plots that the additional active power from the grid is absorbed by the inverter and transmitted to the UCAP. Therefore, it can be concluded from the plots that the additional active power from the grid during the voltage swell event is being absorbed by the UCAP-DVR system through the bi-directional dc-dc converter and the inverter.

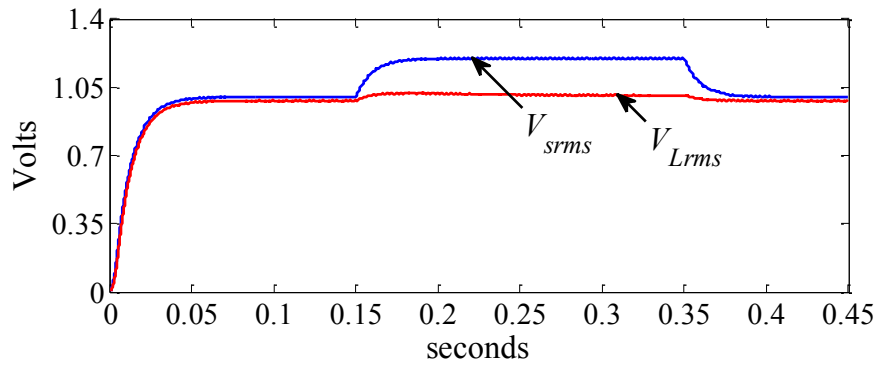


Fig. 6 (a) Source and load RMS voltages  $V_{srms}$  and  $V_{Lrms}$  during swell

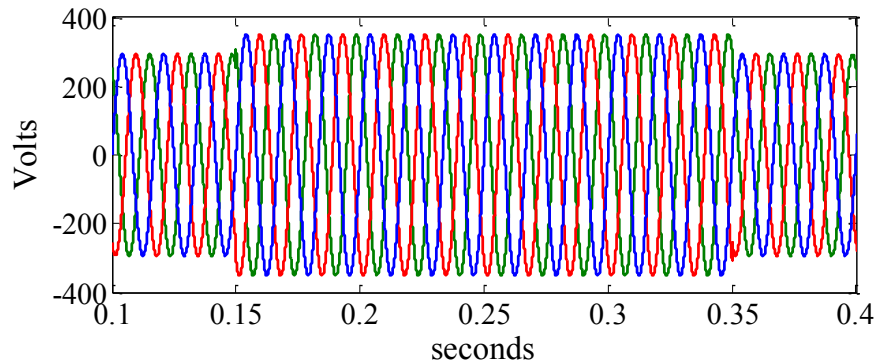


Fig. 6 (b) Source voltages  $V_{sab}$  (blue),  $V_{sbc}$  (red),  $V_{sca}$  (green) during swell

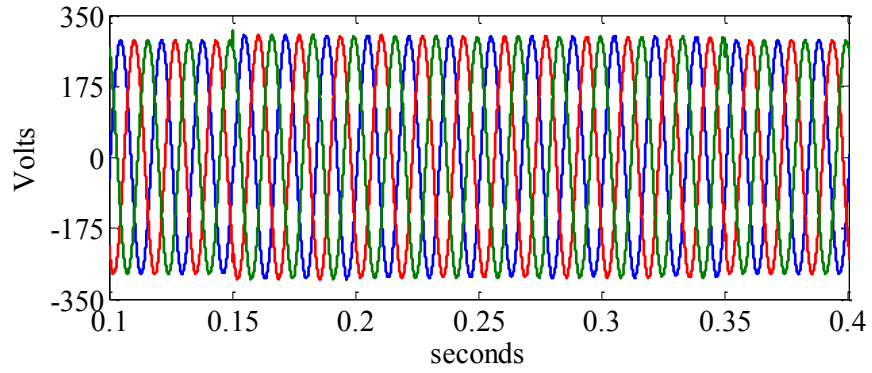


Fig. 6 (c) Load voltages  $V_{Lab}$  (blue),  $V_{Lbc}$  (red),  $V_{Lca}$  (green) during swell

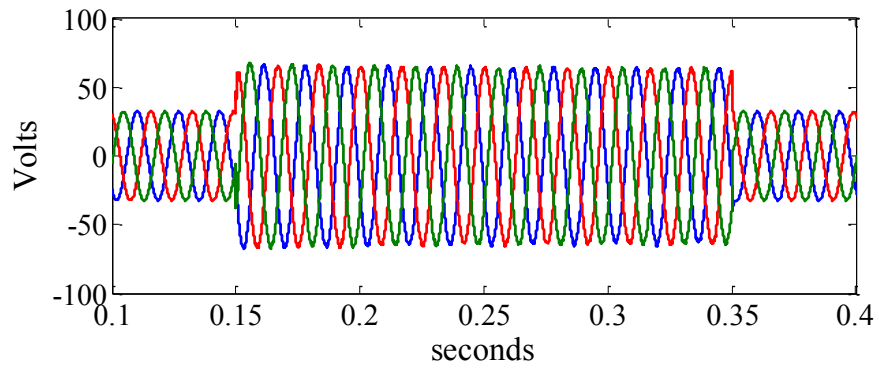


Fig. 6 (d) Injected voltages  $V_{inj2a}$  (blue),  $V_{inj2b}$  (red),  $V_{inj2c}$  (green) during swell

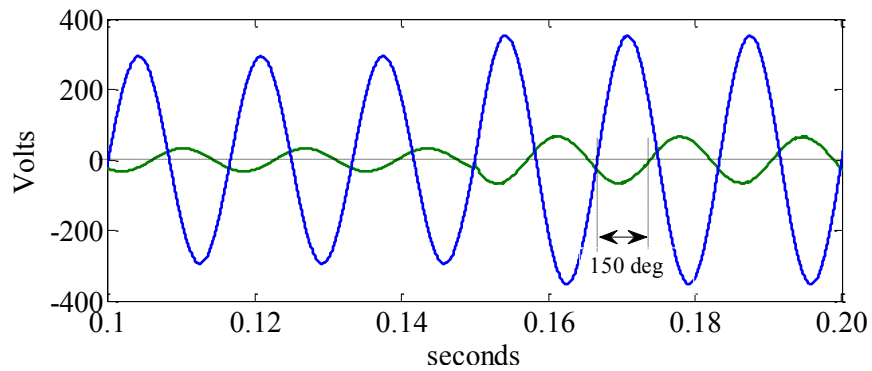


Fig. 6 (e)  $V_{inj2a}$  (green) and  $V_{sab}$  (blue) waveforms during swell

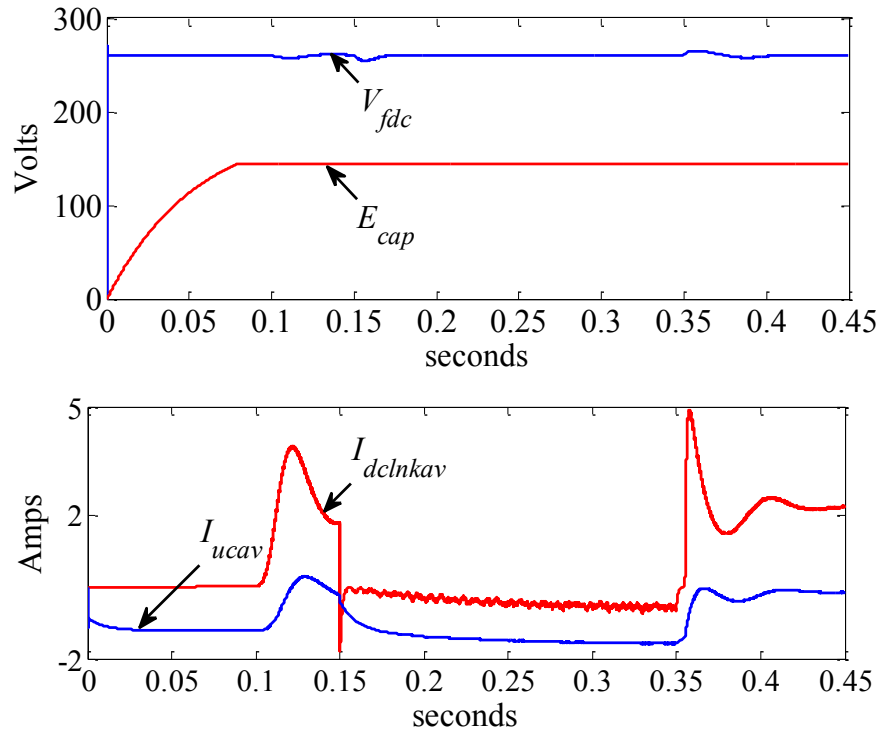


Fig. 7 (a) Currents and voltages of dc-dc converter during swell

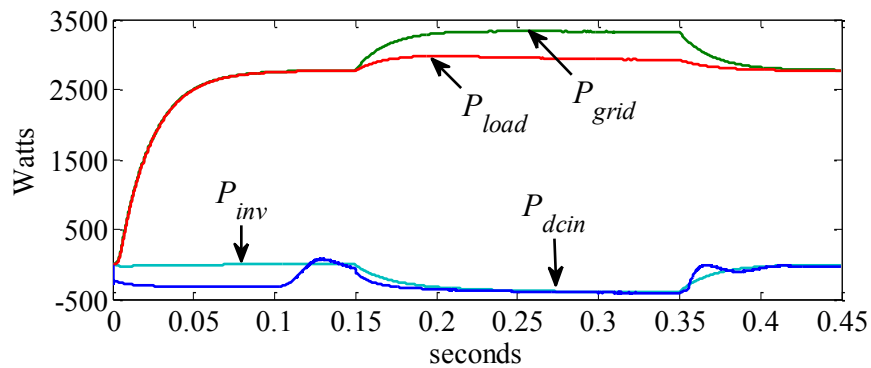


Fig. 7 (b) Active and Reactive power of grid, load and inverter during a voltage swell

## V. EXPERIMENTAL RESULTS

In order to verify the concept and simulation results experimentally a hardware prototype of the complete system was constructed and is shown in Figs. 8 (a) and (b). In Fig. 8 (a) the complete inverter system is shown; it consists of a sensor board, an interface board, TMS320F28335 DSP controller and their power supply circuit in the top



(1<sup>st</sup>) shelf. In the 2<sup>nd</sup> shelf the Inverter IGBT module (BSM100GD60DLC) which is 600V 100A six-pack module from Infineon, its gate driver SKHI 61R manufactured by SEMIKRON, the 3500 $\mu$ F 450Vdc dc-link capacitor are placed; the 3<sup>rd</sup> shelf has the LC-filter which consists of 1.2 mH 45A 3-phase inductor and three 120 $\mu$ F 240Vac capacitors connected in wye configuration; the 4<sup>th</sup> shelf consists of three 2kVa 125V/50V single phase isolation transformers connected in delta configuration on the primary side and the secondary sides are connected in series with the grid through a protection circuit breaker. In Fig. 8 (b) the UCAP, the bi-directional dc-dc converter, the oscilloscope (MSO4034B used for recording the data) and the industrial power corruptor are shown.



Fig. 8 (a) Sensor, Interface and DSP boards (1st), Dc-link capacitor and Inverter (2nd), LC filter (3rd), Isolation Transformer (4th)



Fig. 8 (b) Dc-dc converter and MSO4034B oscilloscope (top shelf), UCAP bank with 3 UCAPs (bottom shelf) and the Industrial Power Corruptor

In Figs. 9 (a) and (b) the experimental waveforms of the inverter and the bi-directional dc-dc converter are shown for the case where the grid experiences voltage sag of 0.84pu magnitude for 1 min duration. In Fig. 9 (a) the dc-link voltage  $V_{fdc}$  (CH1), the UCAP voltage  $E_{cap}$  (CH2), the dc-link current  $I_{dclnk}$  (CH3) and the average UCAP current  $I_{ucav}$  (CH4) are shown. It can be observed from Fig. 9 (a) that during the voltage sag  $E_{cap}$  is decreasing rapidly and  $I_{ucav}$  is increasing rapidly; while  $V_{fdc}$  and  $I_{dclnkav}$  are constant. Therefore, the dc-dc converter is able to regulate the dc-link voltage to 260V and operate in “Boost” mode to discharge active power during a voltage sag event to meet the active power deficit between the grid and the load. In Fig. 9 (b) the zoomed in versions of the line-neutral injected voltage  $V_{inj2a}$  (CH1), line-line load voltage  $V_{Lab}$  (CH2), the line-line source voltage  $V_{sab}$  (CH3) and the load current  $I_{La}$  (CH4) during the voltage sag event are shown. It can be observed that during the voltage sag event the magnitude of  $V_{sab}$  is reduced while the magnitude of  $V_{Lab}$  remains constant due to the injected voltage  $V_{inj2a}$  which increases during the voltage sag event to compensate for the voltage sag. It can also be observed that the load current  $I_{La}$  is constant and in phase with the injected voltage  $V_{inj2a}$  which lags  $V_{sab}$  and  $V_{Lab}$  by  $30^\circ$ . Therefore, from both inverter and dc-dc converter experimental waveforms it can be concluded that the UCAP integrated DVR system hardware setup is able to respond instantaneously to compensate voltage sags.

Similarly, in Figs. 10 (a) and (b) the dc-dc converter and the inverter experimental waveforms are presented for the case where the grid experiences a voltage swell of 1.2pu magnitude which lasts for 1 min duration. It can be observed from Fig. 10 (a) that during the voltage swell  $E_{cap}$  is increasing slowly  $I_{ucav}$  and  $I_{dclnkav}$  are negative while  $V_{fdc}$  stays constant. This indicates that the dc-dc converter is able to regulate the dc-link to 260V

and operate in “*Buck*” mode to Charge the UCAP and absorb the additional power from the grid during the voltage swell into the UCAP which also proves the bidirectional capability of the converter. It can be observed from Fig. 10 (b) that during the voltage swell event the magnitude of  $V_{sab}$  has increased while the magnitude of  $V_{Lab}$  remains constant due to the injected voltage  $V_{inj2a}$  which increases to compensate for the voltage swell. It can also be observed that the load current  $I_{La}$  is constant and in phase with the injected voltage  $V_{inj2a}$  which lags  $V_{sab}$  and  $V_{Lab}$  by  $180^\circ$ . Therefore, from the inverter and dc-dc converter experimental waveforms it can be concluded that hardware setup is able to respond instantaneously to compensate voltages swells and operate in bidirectional mode.

TABLE I Series Inverter and Dc-dc converter Experimental Results

SERIES INVERTER EXPERIMENTAL RESULTS						
Zone	$\Phi$	$V_{inj2a}$ (V)	$I_{La}$ (A)	$P_{inv}$ (W)	$P_{dc}$ (W)	$\eta$ (%)
Sag	$0^\circ$	102.5	6.8	2091	2206	94.7
Swell	$225^\circ$	42.43	6.7	-603	-494	83.3
DC-DC CONVERTER EXPERIMENTAL RESULTS						
Zone	$E_{cap}$ (V)	$I_{ucav}$ (A)	$I_{dclnk}$ (A)	$P_{in}$ (W)	$P_{out}$ (W)	$\eta$ (%)
Sag	126.0	19.0	8.1	2406.6	2206	91.6
Swell	106.0	-4.0	1.9	-494.0	-424.0	85.8

In Table I the inverter and the bi-directional dc-dc converter experimental results are presented for both the sag and swell cases. The values listed in the table for the inverter are the RMS values of the Zoomed in portion of  $V_{inj2a}$  and  $I_{La}$  waveforms of Figs. 9 (b) and 10 (b). Similarly, the values listed for the dc-dc converter are the values which fall on the Y-bar of Figs. 9 (a) and 10 (a), respectively. Based on these values the inverter output power  $P_{inv}$  can be computed using (6) and the inverter input power  $P_{dc}$  is the

output power of the dc-dc converter. Based on the values of the input and output powers of the inverter and the dc-dc converter their respective efficiencies can be computed. It can be observed that both the inverter and the dc-dc converter are very efficient for the voltage sag case while their efficiencies drop a little for the voltage swell case where the lower power levels of operation impact the efficiency. Finally, it can be observed that both the dc-dc converter and the inverter have bidirectional capability allowing the DVR integrated with UCAP energy storage to both discharge and absorb active power from the grid instantaneously and compensate Temporary Sags/Swells or Interruptions on the distribution grid which last from 3s-1min. This kind of integration will be necessary to improve the active power capability of the DVR.

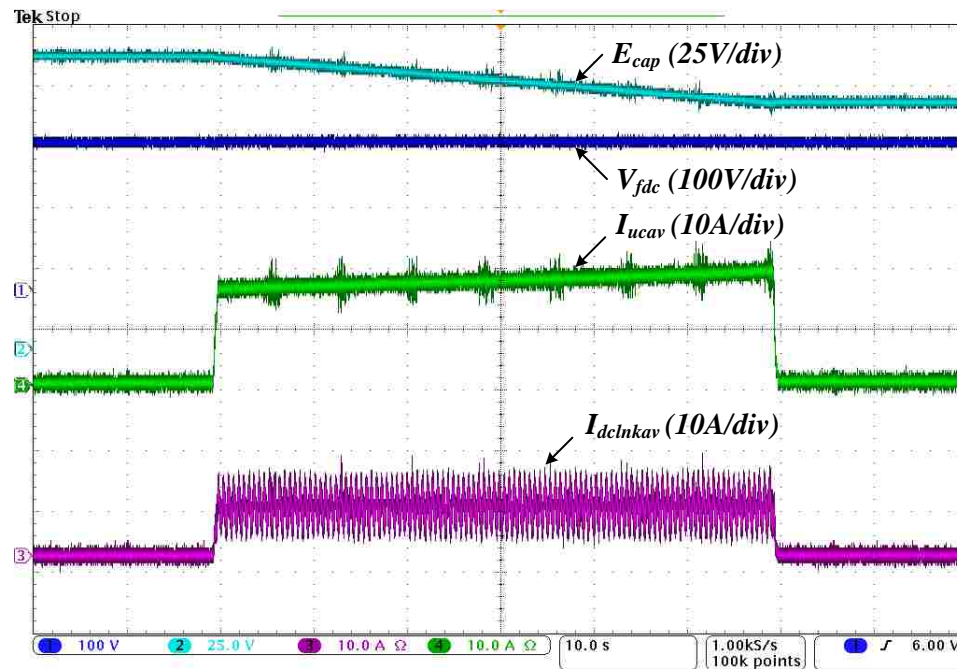


Fig. 9 (a) UCAP and bi-directional dc-dc converter experimental waveforms  $E_{cap}$  (CH1),  $V_{fdc}$  (CH2),  $I_{dcinkav}$  (CH3) and  $I_{ucav}$  (CH4) during voltage sag

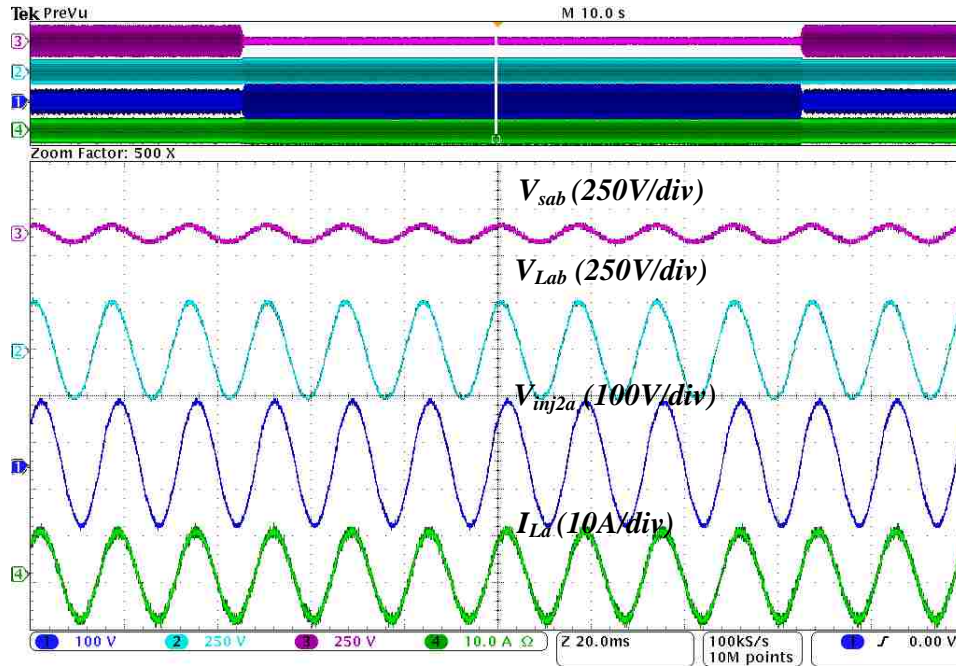


Fig. 9 (b) UCAP and bi-directional dc-dc converter experimental waveforms  $E_{cap}$  (CH1),  $V_{fdc}$  (CH2),  $I_{dclnk}$  (CH3) and  $I_{ucav}$  (CH4) during voltage sag

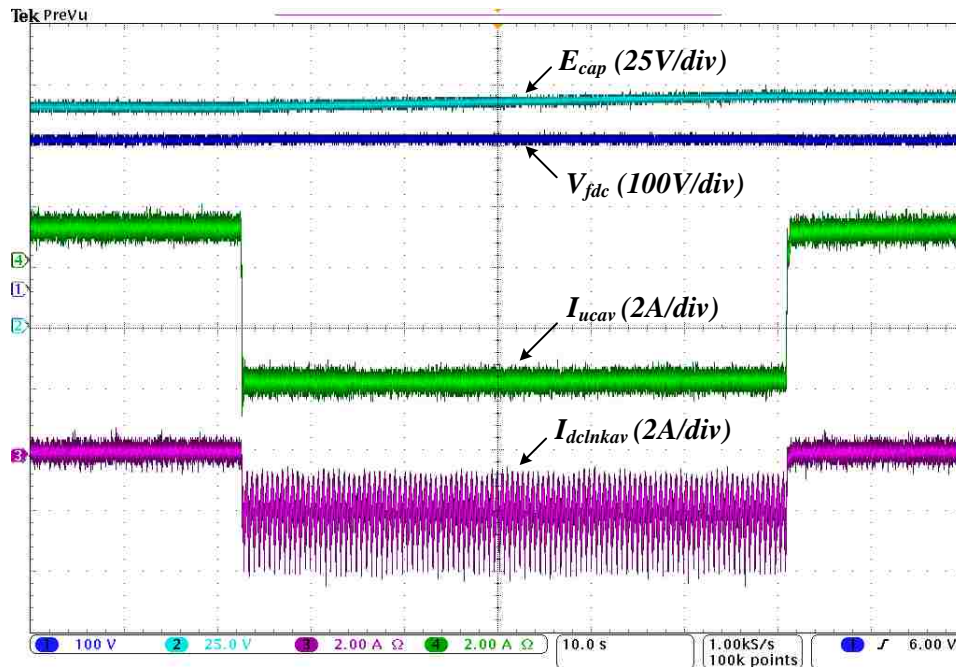


Fig. 10 (a) UCAP and dc-dc converter experimental waveforms  $E_{cap}$  (CH1),  $V_{fdc}$  (CH2),  $I_{dclnk}$  (CH3) and  $I_{ucav}$  (CH4) during voltage swell

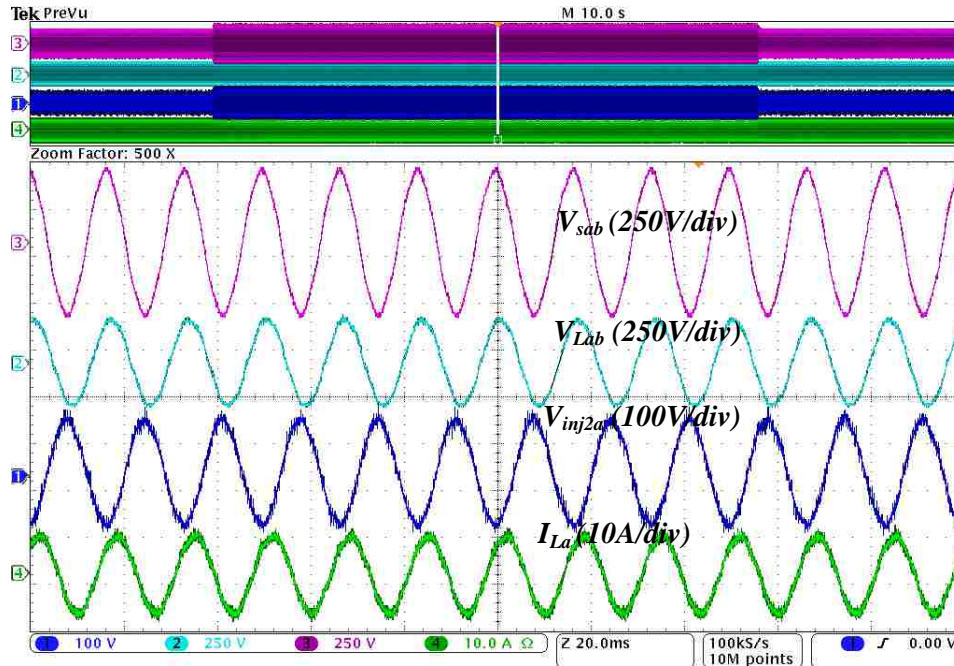


Fig. 10 (b) Inverter experimental waveforms  $V_{sab}$  (CH1),  $V_{Lab}$  (CH2) and  $V_{inj2a}$  (CH3) and  $I_{La}$  (CH4) during the voltage swell

## VI. CONCLUSION

In this paper, the concept of integrating UCAP based rechargeable energy storage to the DVR system to improve its voltage restoration capabilities is explored. With this integration the DVR will be able to independently compensate voltage sags and swells without relying on the grid to compensate for faults on the grid. The UCAP integration through a bi-directional dc-dc converter at the dc-link of the DVR is proposed. The power stage and control strategy of the series inverter which acts as the DVR are discussed. The control strategy of the inverter is based on in-phase compensation which is simple and easy to implement when the DVR system has the ability to provide active power. Designs of major components in the power stage of the bi-directional dc-dc converter are discussed. Average current mode control is used to regulate the output



voltage of the dc-dc converter due to its inherently stable characteristic. The simulation of the UCAP-DVR system which consists of the UCAP, dc-dc converter, and the grid-tied inverter is carried out using PSCAD. Hardware experimental setup of the integrated system is presented and the ability to provide Temporary Voltage Sag and Swell compensation to the distribution grid dynamically is tested. Results from simulation and experiment agree well with each other thereby verifying the concepts introduced in this paper. Similar UCAP based energy storages can be deployed in the future in a micro-grid or a low voltage distribution grid to respond to dynamic changes in the voltage profiles of the grid and prevent sensitive loads from voltage disturbances.

## REFERENCES

- [1] N. H. Woodley, L. Morgan and A. Sundaram, "Experience with an inverter-based dynamic voltage restorer," *IEEE Trans. on Power Delivery*, vol. 14, no. 3, pp. 1181-1186, Jul. 1999.
- [2] S. S. Choi, B. H. Li and D. M. Vilathgamuwa, "Dynamic voltage restoration with minimum energy injection," *IEEE Trans. on Power Systems*, vol. 15, no. 1, pp. 51-57, Feb. 2000.
- [3] D. M. Vilathgamuwa, A. A. D. R. Perera, and S. S. Choi, "Voltage sag compensation with energy optimized dynamic voltage restorer," *IEEE Trans. on Power Delivery*, vol. 18, no. 3, pp. 928-936, Jul. 2003.
- [4] Y. W. Li, D. M. Vilathgamuwa, F. Blaabjerg and P. C. Loh "A robust control scheme for medium-voltage-level DVR implementation," *IEEE Trans. on Ind. Electron*, vol. 54, no. 4, pp. 2249-2261, Aug. 2007.
- [5] A. Ghosh and G. Ledwich, "Compensation of distribution system voltage using DVR," *IEEE Trans. on Power Delivery*, vol. 17, no. 4, Oct. 2002.

- [6] A. Elnady and M. M. A. Salama, "Mitigation of voltage disturbances using adaptive perceptron-based control algorithm," *IEEE Trans. on Power Delivery*, vol. 20, no. 1, pp. 309-318, Jan. 2005.
- [7] P. R. Sanchez, E. Acha, J. E. O. Calderon, V. Feliu and A. G. Cerrada, "A versatile control scheme for a dynamic voltage restorer for power quality improvement," *IEEE Trans. on Power Delivery*, vol. 24, no. 1, pp. 277-284, Jan. 2009.
- [8] C. S. Lam, M. C. Wong, and Y. D. Han, "Voltage swell and overvoltage compensation with unidirectional power flow controlled dynamic voltage restorer," *IEEE Trans. on Power Delivery*, vol. 23, no. 4, pp. 2513-2521, Oct. 2008.
- [9] K. Sahay and B. Dwivedi, "Supercapacitor energy storage system for power quality improvement: An overview," *Journal of Energy Sources*, pp. 1-8, 2009.
- [10] P. F. Ribeiro, B. K. Johnson, M. L. Crow, A. Arsoy and Y. Liu, "Energy storage systems for advanced power applications," *Proc. IEEE*, vol. 89, no. 12, pp. 1744-1756, Dec. 2001.
- [11] H. K. Al-Hadidi, A. M. Gole and D. A. Jacobson, "A novel configuration for a cascaded inverter-based dynamic voltage restorer with reduced energy storage requirements," *IEEE Trans. on Power Delivery*, vol. 23, no. 2, pp. 881-888, Apr. 2008.
- [12] R. S. Weissbach, G. G. Karady, and R. G. Farmer, "Dynamic voltage compensation on distribution feeders using flywheel energy storage," *IEEE Trans. on Power Delivery*, vol. 14, pp. 465-471, Apr. 1999.
- [13] A. B. Arsoy, Y. Liu, P. F. Ribeiro and F. Wang, "StatCom-SMES," *IEEE Ind. Appl. Mag.*, vol. 9, no. 2, pp. 21-28, Mar. 2003.
- [14] C. Abbey and G. Joos, "Supercapacitor energy storage for wind applications," *IEEE Trans. on Ind. Appl.*, vol. 43, no. 3, pp. 769-776, Jun. 2007.
- [15] S. Santoso, M. F. McGranaghan, R. C. Dugan and H. W. Beaty, *Electrical Power Systems Quality*, 3<sup>rd</sup> ed. McGraw-Hill Professional, Jan. 2012.
- [16] Y. Chen, J. V. Mierlo, P. V. Bosschet and P. Lataire, "Using super capacitor based energy storage to improve power quality in distributed power generation," in *Proc. IEEE International Power Electronics and Motion Control Conference (EPE-PEMC)*, 2006, pp.537-543.
- [17] Y. Li, Y. Wang, B. Zhang and C. Mao, "Modeling and simulation of dynamic voltage restorer based on supercapacitor energy storage," in *Proc. International Conference on Electric Machines and Systems (ICEMS)*, 2008, pp. 2064-2066.



- [18] H. Akagi, E. H. Watanabe and M. Aredes, *Instantaneous Reactive Power Theory and Applications to Power Conditioning*, 1<sup>st</sup> ed. John Wiley & sons, IEEE Press, 2007.
- [19] R. W. Erickson and D. Maksimovic, *Fundamentals of Power Electronics*, 2<sup>nd</sup> ed. Norwell, M. A. Kluwer, 2001.

### **III. An Ultracapacitor Integrated Power Conditioner for Reducing Intermittencies and Improving Power Quality of Distribution Grid**

D. Somayajula, Student Member, *IEEE*, M. L. Crow, Fellow, *IEEE*

*Abstract*—Penetration of various types of distributed energy resources (DERs) such as solar, wind and PHEVs into the distribution grid is on the rise. There is a corresponding increase in power quality problems and intermittencies on the distribution grid. In order to reduce the intermittencies and improve the power quality of the distribution grid, an ultracapacitor (UCAP) integrated power conditioner is proposed in this paper. UCAP integration provides the power conditioner active power capability which is useful in mitigating the grid intermittencies and in improving the voltage sag and swell compensation. UCAPs have low energy density, high power density and fast charge/discharge rates which are all ideal characteristics for meeting high power, low energy events such as grid intermittencies and sags/swells. In this paper, a UCAP is integrated into the dc-link of the power conditioner through a bi-directional dc-dc converter which helps in providing a stiff dc-link voltage. The integration helps in providing active/reactive power support, intermittency smoothing, and sags/swell compensation. Design and control of both the dc-ac inverters and the dc-dc converter are discussed. The simulation model of the overall system is developed and compared to the experimental hardware setup.

*Index Terms*—UCAP, APF, DVR, dc-dc converter, DSP, sag/swell, d-q control, energy storage integration

## **VII. INTRODUCTION**

Power quality is a major cause of concern in the industry and it is important to maintain good power quality on the grid. Therefore, there is renewed interest in power

quality products like the dynamic voltage restorer (DVR) and the active power filter (APF). The DVR prevents sensitive loads from experiencing voltage sags/swells [2-3] and the active power filter (APF) prevents the grid from supplying non-sinusoidal currents when the load is non-linear [4]. The concept of integrating the dynamic voltage restorer (DVR) and active power filter (APF) through a back-back inverter topology was first introduced in [1] and the topology was called a unified power quality conditioner (UPQC). The design goal of the UPQC was to improve the power quality of the distribution grid by being able to provide sag, swell and harmonic current compensation. With the increase in penetration of the distributed energy resources (DERs) such as wind, solar and PHEVs, there is a corresponding increase in grid intermittencies and power quality problems on the distribution grid in the *seconds* to *minutes* time scale [17]. Integration of energy storage into the distribution grid is a potential solution which helps in addressing various power quality problems and problems related to grid intermittencies [5-8]. Applications where energy storage integration is needed are being identified and efforts are being made to make energy storage integration commercially viable on a large scale [9-10].

Renewable intermittency smoothing is one application which requires active power support from energy storage in the *seconds* to *minutes* time scale [10]. Different types of optimal controls are being explored to provide smoothing of DERs [12-18]. In [12] a super capacitor and flow battery hybrid energy storage system is integrated into the wind turbine generator to provide wind power smoothing and the system is tested using a real time simulator. In [13] a super capacitor is used as an auxiliary energy storage for PV/fuel cell and a model based controller is developed for providing optimal control. In

[14], a battery energy storage system based control to mitigate wind/PV fluctuations is proposed. In [15] a multi-objective optimization method to integrate battery storage for improving PV integration into the distribution grid is proposed. In [16], a rule based control is proposed to optimize the battery discharge while dispatching intermittent renewable resources. In [17], optimal sizing of a zinc bromine based battery for reducing the intermittencies in wind power is proposed. Voltage sag and swell compensation is another application which needs active power support from the energy storage in the *milliseconds* to *seconds* duration [11].

Active and reactive power support and renewable intermittency smoothing can be provided by modifying the controls of the APF [4] when the APF has active power capability. Voltage sag/swell compensation can be provided by the DVR with active power capability by modifying its controls [3]. A UPQC which has active power capability can meet all the above mentioned control objectives. Energy storage integration is necessary to have active power capability. Various types of rechargeable energy storage technologies based on superconducting magnets (SMES), flywheels (FESS), batteries (BESS) and ultra-capacitors (UCAPs) are compared in [7]. Of all the rechargeable energy storage technologies, UCAPs are ideal for providing active power support for high power, low energy events such as voltage sags/swells and renewable intermittency smoothing which require support in the *seconds* to *minutes* time scale [7]. However, the voltage profile of the UCAP changes as the UCAP discharges and therefore a bi-directional dc-dc converter is necessary for providing a stiff dc-link, voltage which in turn is necessary to provide accurate control.

*In this paper, a UCAP-based energy storage integration through a power conditioner into the distribution grid is proposed and the following application areas are addressed,*

- Integration of the UCAP with a power conditioner system provides the system *active power capability*,
- *Active power capability* is necessary for independently compensating voltage sags/swells and to provide active and reactive power support and intermittency smoothing to the grid,
- Experimental validation of the UCAP, dc-dc converter, inverter their interface and control,
- Development of inverter and dc-dc converter controls to provide sag/swell compensation and active/reactive support to the distribution grid, and
- Hardware integration and performance validation of the integrated PC-UCAP system.

## **VIII. THREE-PHASE INVERTERS**

### *A. Power Stage*

The one line diagram of the system is shown in Fig. 1. The power stage consists of two back to back 3-phase voltage source inverters connected through a dc-link capacitor. The UCAP energy storage is connected to the dc-link capacitor through a bi-directional dc-dc converter. The series inverter is responsible for compensating the voltage sags and swells and the shunt inverter is responsible for active/reactive power support and renewable intermittency smoothing. The complete circuit diagram of the series DVR, shunt APF and the bi-directional dc-dc converter is shown in Fig. 2. Both the

inverter systems consist of an IGBT module, its gate-driver, LC filter and an isolation transformer. The dc-link voltage  $V_{dc}$  is regulated at 260V for optimum voltage and current compensation of the converter and the line-line voltage  $V_{ab}$  is 208V. The goal of this project is to provide the integrated power conditioner and UCAP system with active power capability 1) to compensate *temporary voltage sags* (0.1-0.9pu) and *swells* (1.1-1.2pu) which last from 3seconds to 1minute [11], and 2) to provide active and reactive support and renewable intermittency smoothing which is in the *seconds to minutes* time scale.

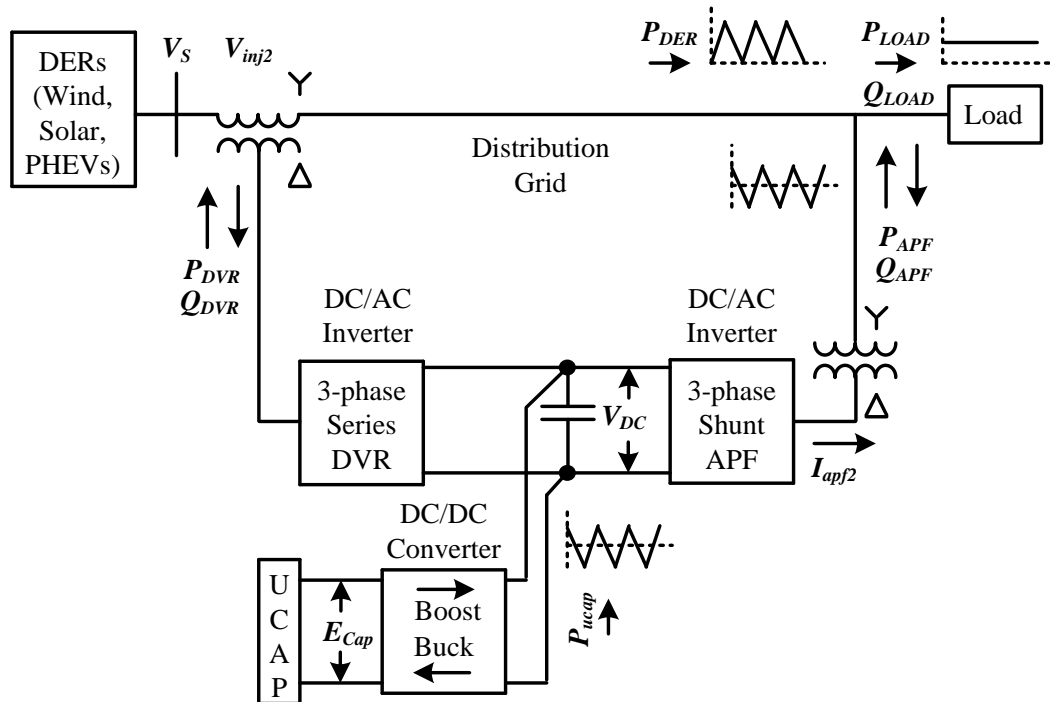


Fig. 1 One line diagram of Power Conditioner with UCAP Energy Storage

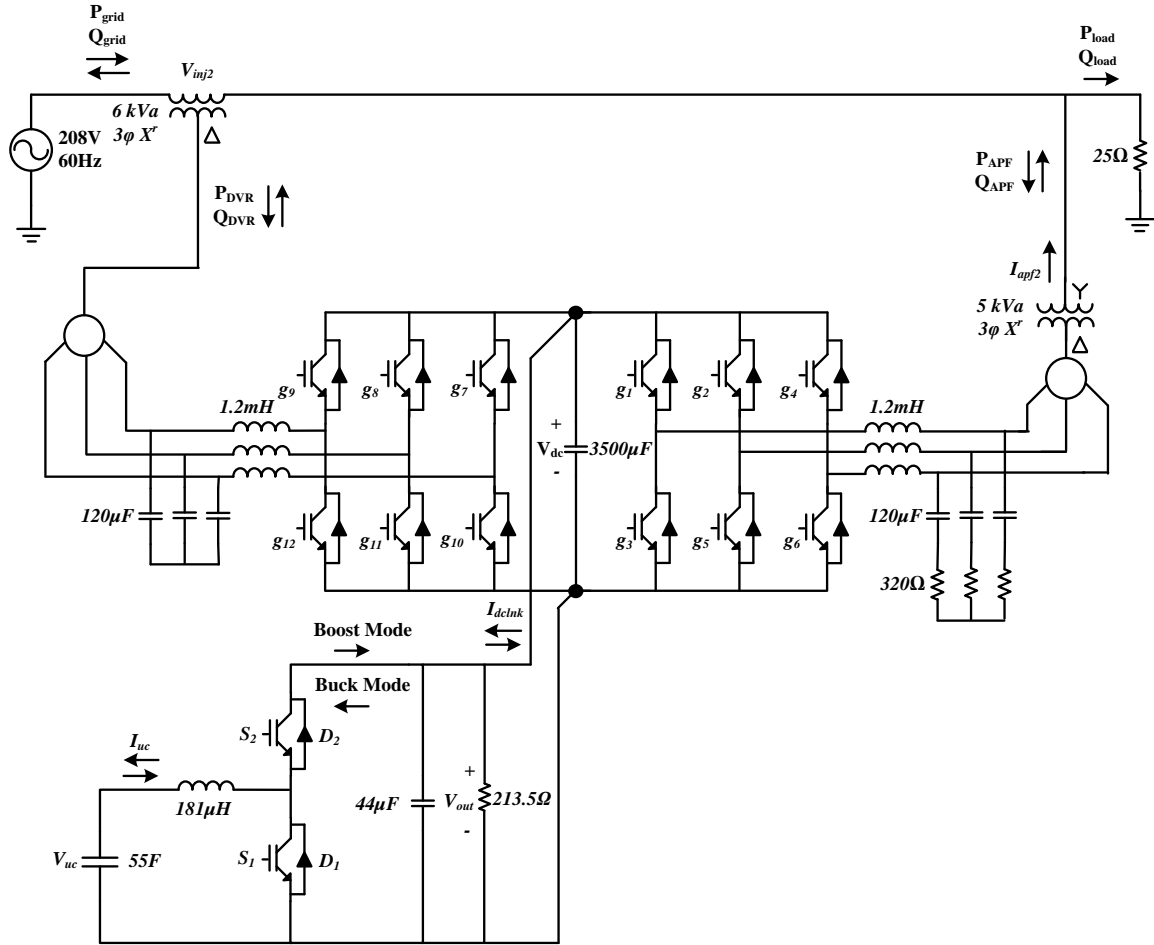


Fig. 2 Model of Power Conditioner with UCAP Energy Storage

### B. Controller Implementation

The controller block diagram for the series DVR and the shunt APF is shown in Fig. 3. The series inverter controller implementation is based on the *in-phase compensation* method which requires a PLL for estimating  $\theta$ . This has been implemented using the *fictitious power method* described in [1]. Based on the estimated  $\theta$ , the line-line source voltages  $V_{ab}$ ,  $V_{bc}$ ,  $V_{ca}$  (which are available for this delta-sourced system) are transformed into the d-q domain and the line-neutral components of the source voltage  $V_{sa}$ ,  $V_{sb}$  and  $V_{sc}$  (which are not available) can be estimated using:

$$\begin{bmatrix} V_{sa} \\ V_{sb} \\ V_{sc} \end{bmatrix} = \begin{bmatrix} 1 & 0 \\ -1 & \frac{\sqrt{3}}{2} \\ -1 & -\frac{\sqrt{3}}{2} \end{bmatrix} \begin{bmatrix} \cos\left(\theta - \frac{\pi}{6}\right) & \sin\left(\theta - \frac{\pi}{6}\right) \\ -\sin\left(\theta - \frac{\pi}{6}\right) & \cos\left(\theta - \frac{\pi}{6}\right) \end{bmatrix} \begin{bmatrix} \frac{V_d}{\sqrt{3}} \\ \frac{V_q}{\sqrt{3}} \end{bmatrix} \quad (1)$$

$$\begin{bmatrix} V_{refa} \\ V_{refb} \\ V_{refc} \end{bmatrix} = m * \begin{bmatrix} \left(\sin\theta - \frac{V_{sa}}{169.7}\right) \\ \left(\sin\left(\theta - \frac{2\pi}{3}\right) - \frac{V_{sb}}{169.7}\right) \\ \left(\sin\left(\theta + \frac{2\pi}{3}\right) - \frac{V_{sc}}{169.7}\right) \end{bmatrix} \quad (2)$$

$$P_{dvr} = 3V_{inj2a(rms)}I_{La(rms)} \cos\varphi \quad (3)$$

$$Q_{dvr} = 3V_{inj2a(rms)}I_{La(rms)} \sin\varphi$$

These voltages are normalized to unit sine waves using a line-neutral system voltage of  $120V_{rms}$  as reference and compared to unit sine waves *in-phase* with actual system voltages  $V_s$  from (2) to find the injected voltage references  $V_{ref}$  necessary to maintain a constant voltage at the load terminals, where  $m$  is the modulation index (0.45 for this case). Therefore, whenever there is a voltage sag or swell on the source side a corresponding voltage  $V_{inj2}$  is injected in-phase by the DVR and the UCAP system to negate the effect and retain a constant voltage  $V_L$  at the load end. The actual active and reactive power supplied by the series inverter can be computed using (3) from the RMS values of injected voltage  $V_{inj2a}$  and load current  $I_{La}$  and  $\varphi$  is the phase difference between the two waveforms.

$$P_{ref} = -\frac{3}{2}v_{sq}i_{qref} \quad (4)$$

$$Q_{ref} = -\frac{3}{2}v_{sq}i_{dref}$$



$$\begin{bmatrix} i_{refa} \\ i_{refb} \\ i_{refc} \end{bmatrix} = \begin{bmatrix} 1 & 0 \\ -\frac{1}{2} & \frac{\sqrt{3}}{2} \\ -\frac{1}{2} & -\frac{\sqrt{3}}{2} \end{bmatrix} \begin{bmatrix} \cos \theta & \sin \theta \\ -\sin \theta & \cos \theta \end{bmatrix} \begin{bmatrix} i_{dref} \\ i_{qref} \end{bmatrix} \quad (5)$$

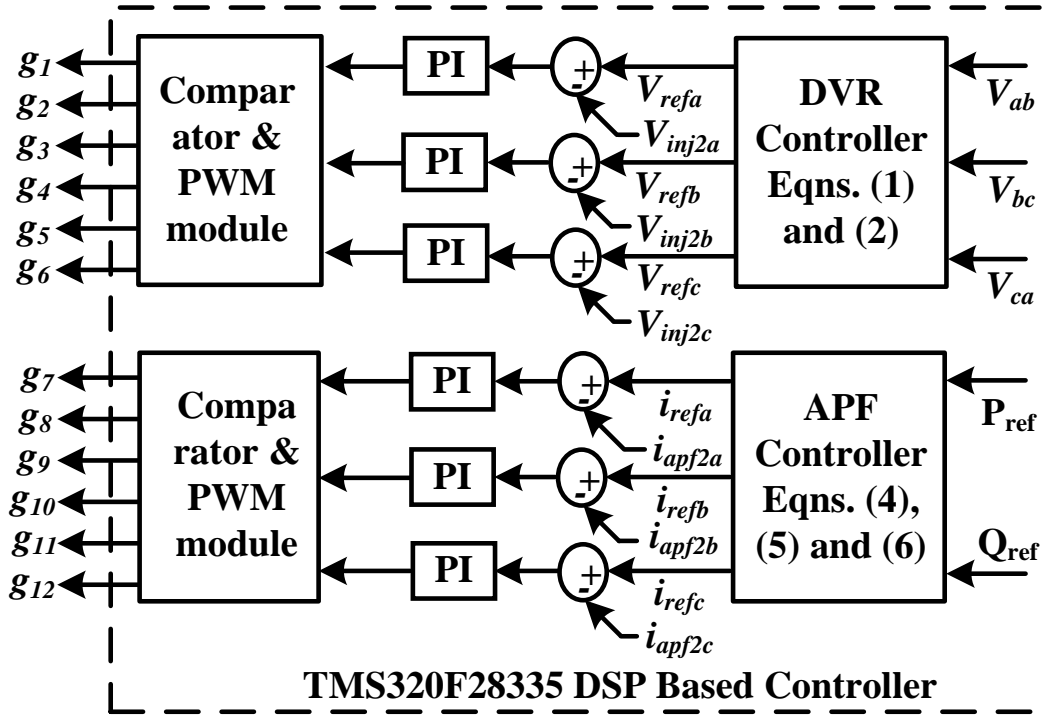


Fig. 3 Controller block diagram for DVR and APF

## IX. UCAP AND BI-DIRECTIONAL DC-DC CONVERTER

### A. UCAP Bank Hardware Setup

The choice of the number of UCAPs necessary for providing grid support depends on the amount of support needed, terminal voltage of the UCAP, dc-link voltage and distribution grid voltages. For a 260V dc-link voltage, it is practical and cost effective to use three 48V modules in the UCAP bank. Therefore, for this paper the experimental setup consists of three 48V, 165F UCAPs (BMOD0165P048) manufactured by Maxwell

Technologies which are connected in series. Assuming that the UCAP bank can be discharged to 50% of its initial voltage ( $V_{uc,ini}$ ) to final voltage ( $V_{uc,fin}$ ) from 144V to 72V, this translates to depth of discharge of 75% and the energy in the UCAP bank available for discharge is given by:

$$E_{UCAP} = \frac{1}{2} * C * \frac{(V_{uc,ini}^2 - V_{uc,fin}^2)}{60} \text{ W - min}$$

$$E_{UCAP} = 1/2 * 165/3 * (144^2 - 72^2)/60 \quad (6)$$

$$=7128 \text{ W-min}$$

### B. Bi-directional Dc-dc Converter and Controller

A bi-directional dc-dc converter is required as an interface between the UCAP and the dc-link since the UCAP voltage varies with the amount of energy discharged whereas the dc-link voltage must be stiff. The model of the bi-directional dc-dc converter and its controller are shown in Fig. 4. The amount of active power support required by the grid during a voltage sag event is dependent on the depth and duration of the voltage sag and the dc-dc converter should be able to withstand this power during “Discharge” mode. The dc-dc converter should also be able to operate in bi-directional mode to be able to “Charge” or absorb additional power from the grid during voltage swell event. In this paper, the bi-directional dc-dc converter acts as a boost converter while “discharging” power from the UCAP and as a buck converter while “charging” the UCAP from the grid.

Average current mode control which is widely explored in literature [19] is used to regulate the output voltage of the bi-directional dc-dc converter in both *Buck* and *Boost* modes while *Charging* and *Discharging* the UCAP bank. This method is typically more

stable when compared to other methods such as voltage mode control and peak current mode control. An average current mode controller is shown in Fig. 4 where the actual output voltage  $V_{out}$  is compared with the reference voltage  $V_{ref}$  and the error is passed through the voltage compensator  $C_1(s)$  which generates the average reference current  $I_{ucref}$ .

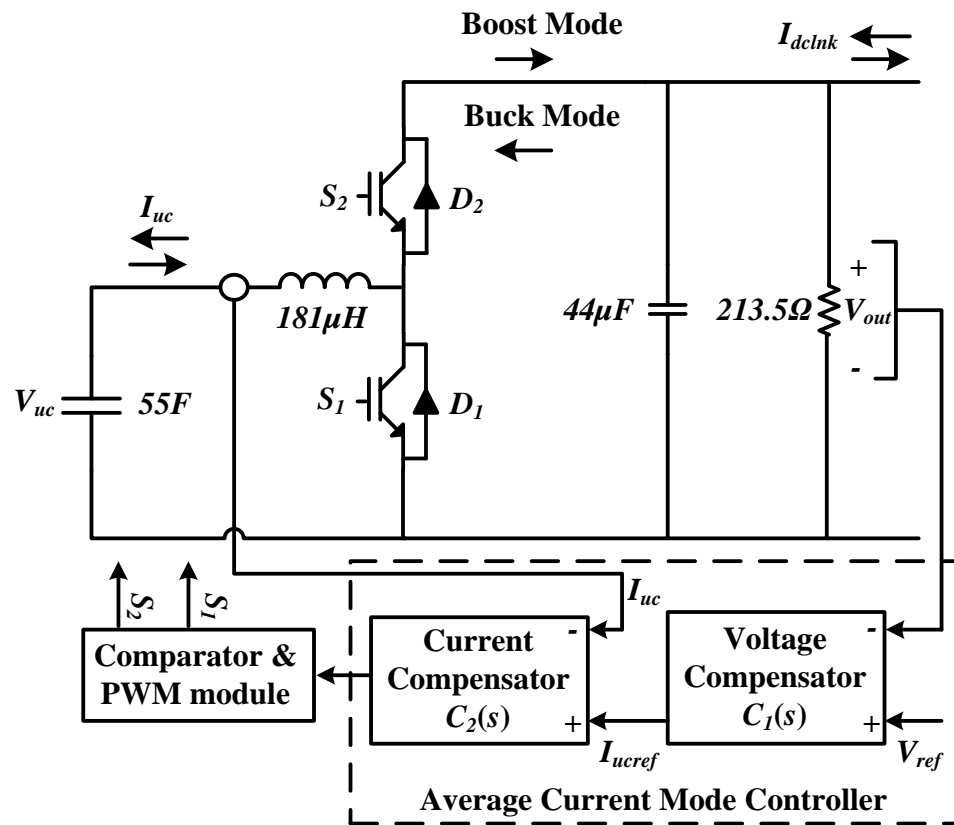


Fig. 4 Model of the bi-directional dc-dc converter and its controller

## X. SIMULATION RESULTS

The simulation of the proposed UCAP integrated power conditioner system is carried out in PSCAD for a 208V, 60Hz system where 208V is 1pu. The system response for a three-phase voltage sag which lasts for 0.1s and has a depth of 0.64pu is shown in

Figs. 5 (a)-(e). It can be observed from Fig. 5 (a) that during voltage sag the source voltage  $V_{srms}$  is reduced to 0.36pu whereas the load voltage  $V_{Lrms}$  is maintained constant at around 1.01pu due to the voltages injected *in-phase* by the series inverter. This can also be observed from the plots of the line-line source voltages ( $V_{sab}, V_{sbc}, V_{sca}$ ) in Fig. 5 (b), the line-line load voltages ( $V_{Lab}, V_{Lbc}, V_{Lca}$ ) in Fig. 5 (c), and the line-neutral injected voltages of the series inverter ( $V_{inj2a}, V_{inj2b}, V_{inj2c}$ ) in Fig. 5 (d). In Fig. 6 (a), the plots of the bi-directional dc-dc converter are presented and it can be observed that the dc-link voltage  $V_{fdc}$  is regulated at 260V, the average dc-link current  $I_{dclnkav}$  and the average UCAP current  $I_{ucav}$  increase to provide the active power required by the load during the sag. This can also be observed from various active power plots shown in Fig. 6 (b) where the power supplied to the load  $P_{load}$  remains constant even during the voltage sag when the grid power  $P_{grid}$  is decreasing. The active power deficit of the grid is met by the DVR power  $P_{dvr}$  which is almost equal to the input power to the inverter  $P_{dc\_in}$  available from the UCAP. Therefore, it can be concluded from the plots that the active power deficit between the grid and load during the voltage sag event is being met by the UCAP-based energy storage system through the bi-directional dc-dc converter and the inverter. It can also be noticed that the grid reactive power  $Q_{grid}$  reduces during the voltage sag while  $Q_{dvr}$  increases to compensate for the reactive power loss in the system. Similar analyses can also be carried out for voltage sags which occur in one of the phases (A, B, or C) or in two of the phases (AB, BC, or CA) however, a 3-phase voltage sag case requires the maximum active power support and is therefore presented in these results.

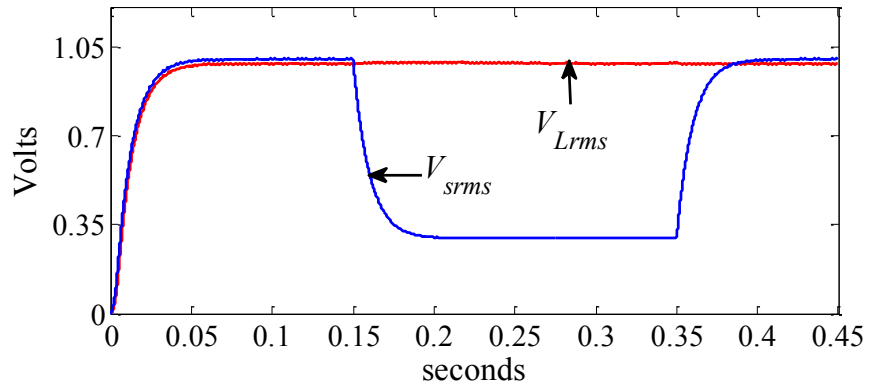


Fig. 5 (a) Source and load RMS voltages  $V_{srms}$  and  $V_{Lrms}$  during sag

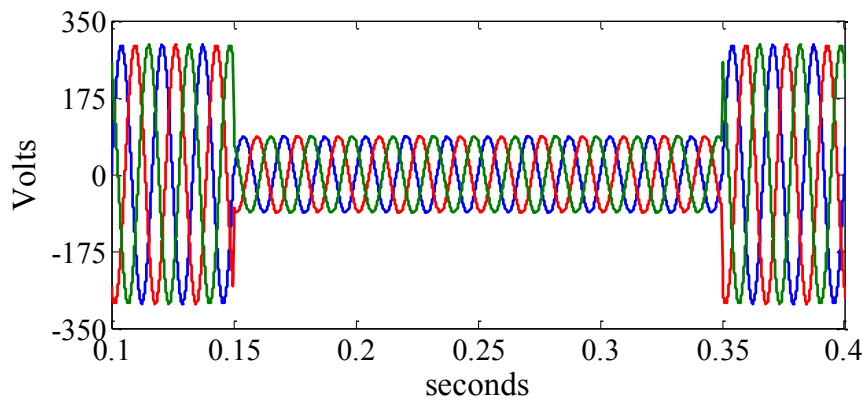


Fig. 5 (b) Source voltages  $V_{sab}$  (blue),  $V_{sbc}$  (red),  $V_{sca}$  (green) during sag

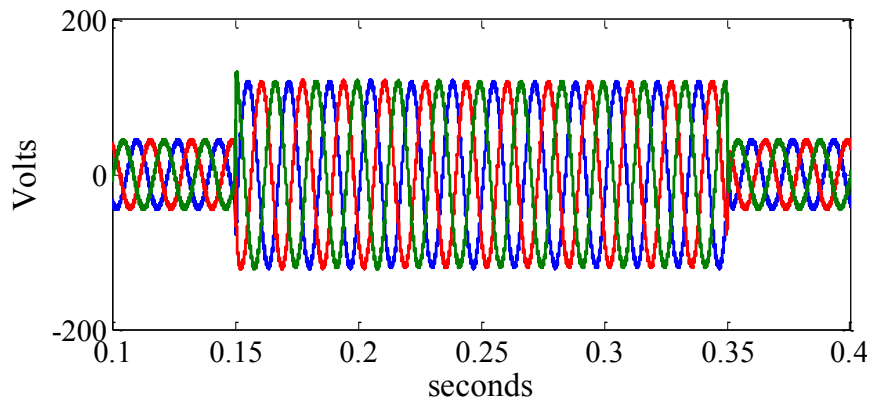


Fig. 5 (c) Injected voltages  $V_{inj2a}$  (blue),  $V_{inj2b}$  (red),  $V_{inj2c}$  (green) during sag

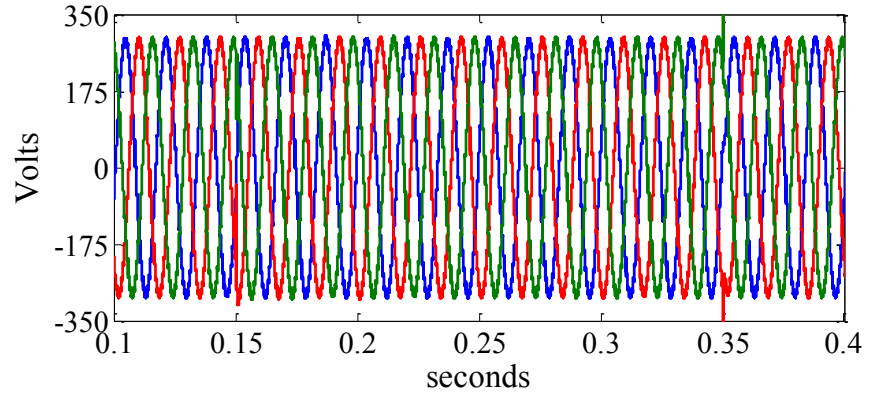


Fig. 5 (d) Load voltages  $V_{Lab}$  (blue),  $V_{Lbc}$  (red),  $V_{Lca}$  (green) during sag

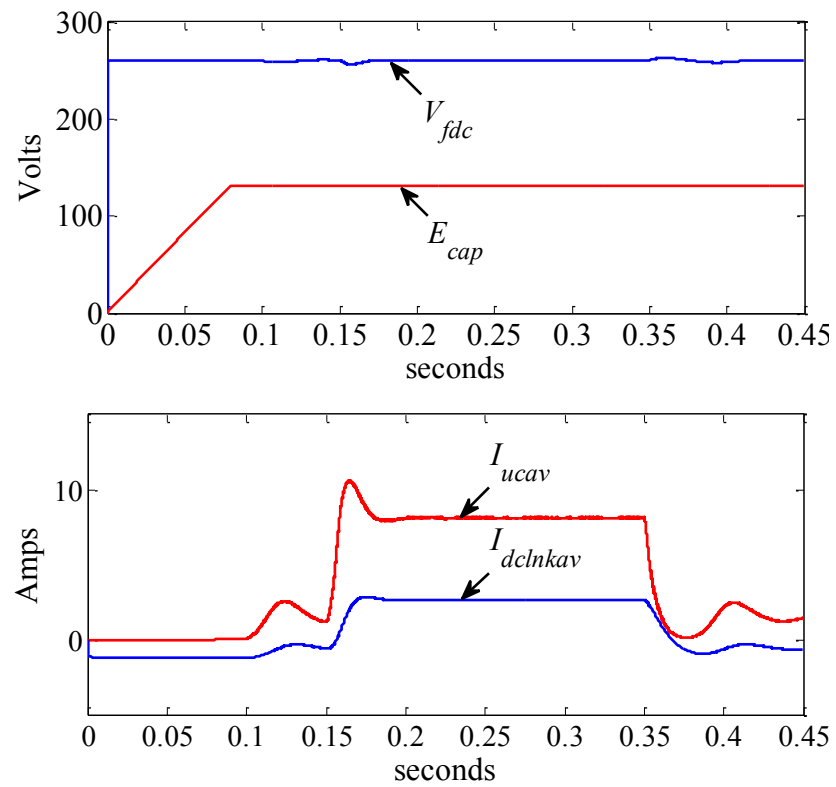


Fig. 6 (a) Currents and voltages of dc-dc converter

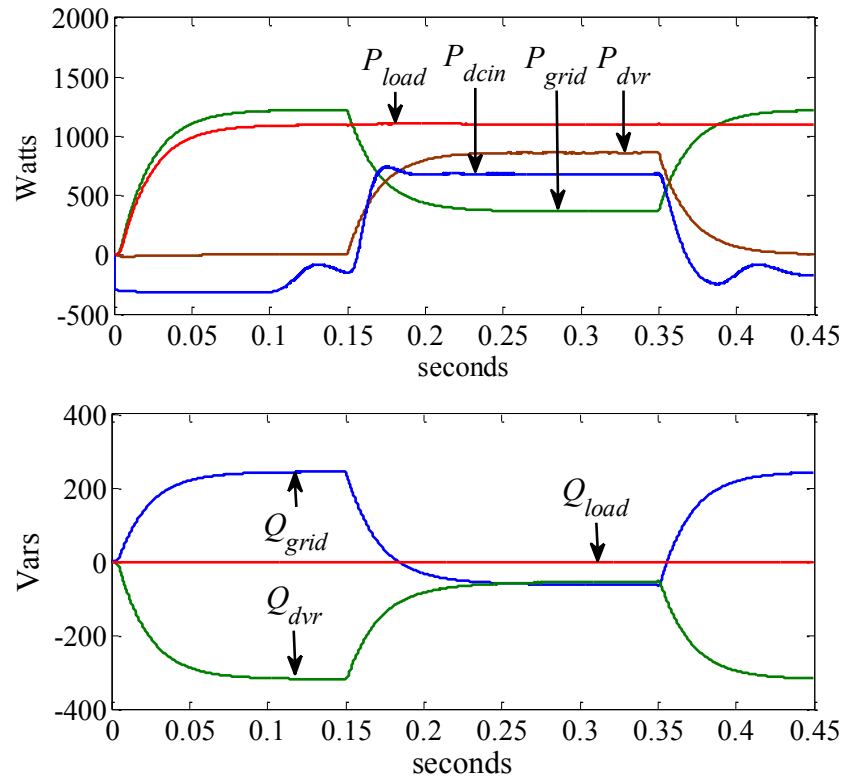


Fig. 6 (b) Active power of grid, load and inverter during voltage sag

The proposed UCAP integrated power conditioner system's performance is also simulated for the active and reactive power support case. The system response is simulated for the reactive power support mode for the initial 0.225s where  $i_{dref} = -15A$  for the initial 0.225s which translates to a  $Q_{ref}$  of 3819Var from (5). For the remainder of the simulation interval the system response is simulated for active power support mode with  $i_{qref} = -12A$  which translates to  $P_{ref}$  of 3054W. It can be observed from the currents and voltages of the dc-dc converter waveforms in Fig. 7 (a) that the dc-link voltage  $V_{fdc}$  remains constant in both the modes. While the UCAP current  $I_{ucav}$  and the corresponding dc-link current  $I_{dclnkav}$  are higher for active power support case when compared to the reactive power support case. In Fig. 7 (b) the active and reactive power curves for both the modes are shown and it can be observed from the active and reactive power curves

that the reactive power  $Q_{apf}$  reaches the commanded value in the reactive power support mode and the active power  $P_{dcin}$  supplied by the UCAP is minimal in this case. In the active power support mode the UCAP and the inverter system supply the required active power and the additional power flows back into the grid. This can be observed from the  $P_{dcin}$ ,  $P_{grid}$ ,  $P_{load}$  and  $P_{apf}$  waveforms.

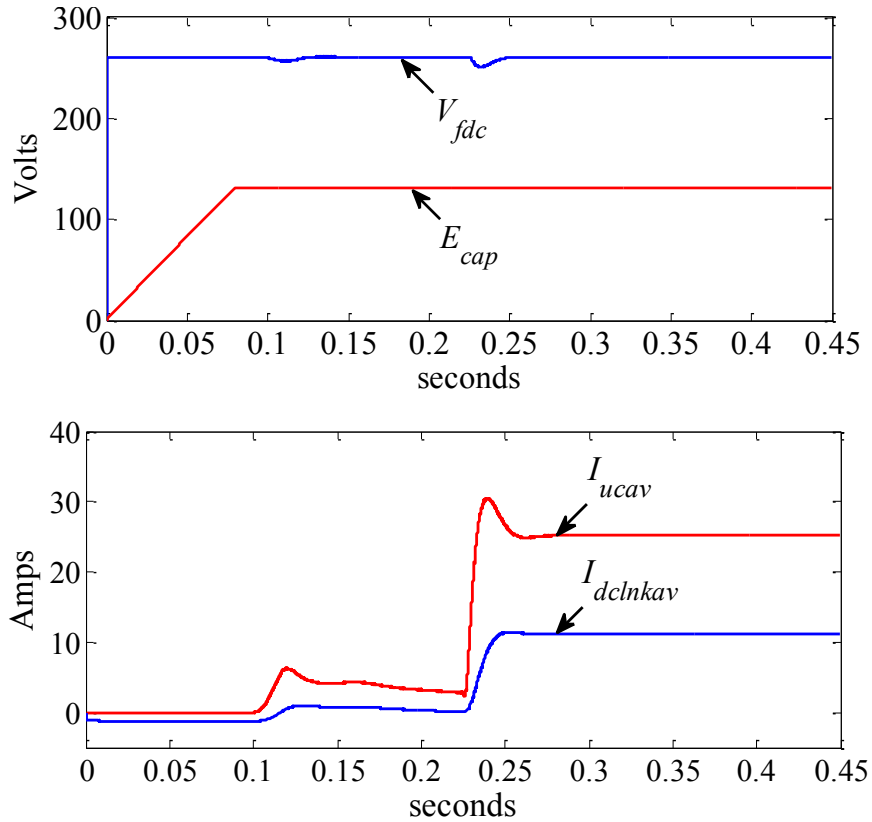


Fig. 7 (a) Currents and voltages of bi-directional dc-dc converter for  $i_{dref} = -15.0A$  (reactive power support) and  $i_{qref} = -12.0A$  (active power support)



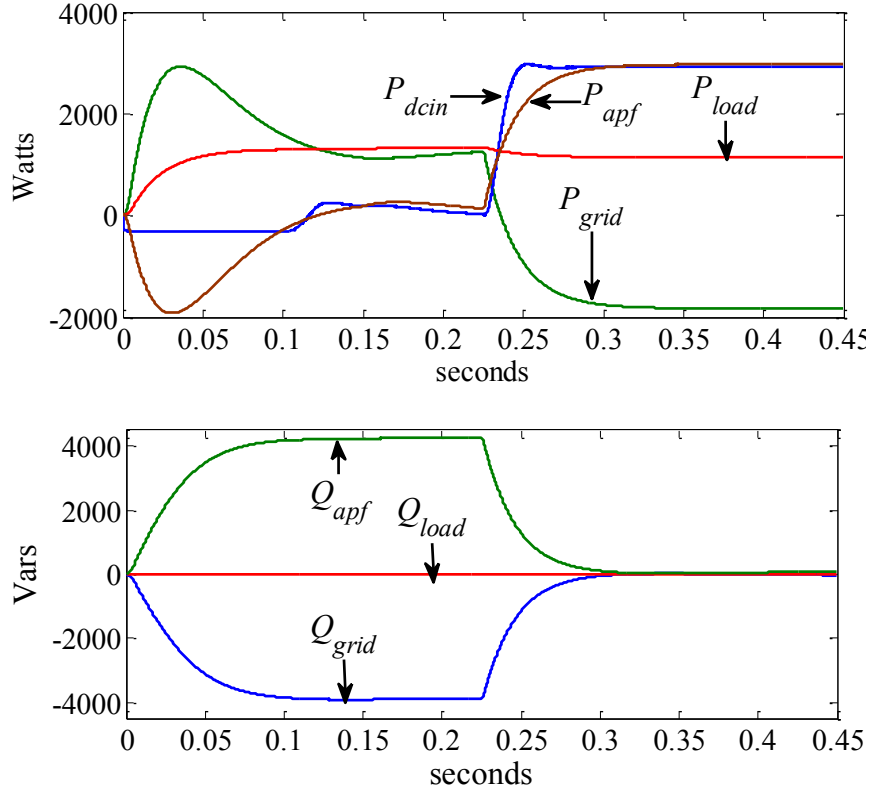


Fig. 7 (b) Grid, load and inverter active and reactive power curves for  $i_{dref} = -15.0A$  (reactive power support) and  $i_{qref} = -12.0A$  (active power support)

## XI. EXPERIMENTAL RESULTS

To verify the concept and simulation results experimentally, a hardware prototype of the complete system was constructed and is shown in Figs. 8 (a) and (b). Fig. 8 (a) shows the complete inverter system which is divided into 4 shelves. The top most shelf consists of a sensor board, an interface board, a TMS320F28335 DSP controller, and the power supply circuit. The 2<sup>nd</sup> shelf consists of the series and shunt inverters connected back-back through a dc-link capacitor. Each inverter consists of an IGBT module (BSM100GD60DLC) which is a 600V 100A six-pack module from Infineon, and its gate driver SKHI 61R manufactured by SEMIKRON. The inverters are connected back-to-back through a 3500 $\mu$ F 450Vdc dc-link capacitor. The 3<sup>rd</sup> shelf has the

LC-filters of the series and the shunt inverters. The LC filter of the shunt inverter consists of 1.2 mH 45A 3-phase inductor and three 120 $\mu$ F 240Vac capacitors connected in a wye configuration through 320 $\Omega$  damping resistors. The series inverter LC filter consists of another 1.2 mH 45A 3-phase inductor and 3-phase 2.5kVar capacitors connected in delta configuration. The 4<sup>th</sup> shelf consists of three 2kVA 125V/50V single phase isolation transformers for the series inverter connected in delta configuration on the primary side and the secondary sides are connected in series with the grid through a protection circuit breaker. The 4<sup>th</sup> shelf also has a 5kVA  $\Delta$ -Y (125V/208V) isolation transformer for the shunt inverter where the secondary side is connected to the grid through a protection circuit breaker. Fig. 8 (b) shows the UCAP, the bi-directional dc-dc converter, the oscilloscope and the industrial power corruptor.

In Figs. 9 (a) and (b), the experimental waveforms of the series inverter and the bi-directional dc-dc converter are shown for the case where the grid experiences a voltage sag of 0.6pu magnitude for a 1 minute duration. In Fig. 9 (a), the dc-link voltage  $V_{fdc}$  (CH1), the UCAP voltage  $E_{cap}$  (CH2), the dc-link current  $I_{dclnk}$  (CH3) and the average UCAP current  $I_{ucav}$  (CH4) are shown. It can be observed from Fig. 9 (a) that during the voltage sag,  $E_{cap}$  is decreasing rapidly and  $I_{ucav}$  is increasing rapidly, whereas  $V_{fdc}$  and  $I_{dclnkav}$  are constant. Therefore, the dc-dc converter is able to regulate the dc-link voltage to 260V and operate in “*Boost*” mode to discharge active power during a voltage sag event to meet the active power deficit between the grid and the load. In Fig. 9 (b) the zoomed-in versions of the line-neutral injected voltage  $V_{inj2a}$  (CH1), line-line source voltage  $V_{Lab}$  (CH2), the line-line load voltage  $V_{Lab}$  (CH1) and the load current  $I_{La}$  (CH4) during the voltage sag event are shown. It can be observed that during the voltage sag

event the magnitude of  $V_{sab}$  is reduced while the magnitude of  $V_{Lab}$  remains constant due to the injected voltage  $V_{inj2a}$  which increases during the voltage sag event to compensate for the voltage sag. Therefore, from both inverter and dc-dc converter experimental waveforms it can be concluded that the UCAP integrated DVR system hardware setup is able to respond instantaneously to compensate voltage sags.



Fig. 8 (a) Sensor, Interface and DSP boards (1<sup>st</sup>), Dc-link capacitor and Inverter (2<sup>nd</sup>), LC filter (3<sup>rd</sup>), Isolation Transformer (4<sup>th</sup>)



Fig. 8 (b) Dc-dc converter and MSO4034B oscilloscope (top shelf), UCAP bank with 3 UCAPs (bottom shelf) and the Industrial Power Corruptor

In Fig. 10 (a) the experimental waveforms of the bi-directional dc-dc converter are shown with the UCAP voltage  $E_{cap}$  (CH1), the dc-link voltage  $V_{fdc}$  (CH2), the average UCAP current  $I_{ucav}$  (CH3) and the dc-link current  $I_{dclnk}$  (CH4). Fig. 10 (a) is divided into 7 zones which are labeled from 1 through 7 in the plots. In zone 1 the inverter is supplying only reactive power and the dc-dc converter is maintaining a stiff dc-link voltage. Zone 2 is a transition mode in which the inverter is changing from supplying reactive power to

active power. In Zones 3, 4, and 5, the inverter is supplying only active power to the grid which is being discharged from the UCAP. In Zones 4 and 5, the inverter is supplying only active power to the grid. However, the amount of active power supplied to the grid in Zone 5 is less than that in Zone 4, which is again less than that in Zone 3. This relationship can be observed from the  $I_{dclnk}$  trace. In Zone 6, the inverter is absorbing active power from the grid which is used for charging the UCAP through the bi-directional dc-dc converter. Zone 7 is again a transition mode in which the inverter is changing from supplying active power to supplying reactive power to the grid. In Zone 8 again the inverter is supplying only reactive power to the grid and the dc-dc converter is maintaining a stiff dc-link voltage.

In Fig. 10 (b), the magnified view of Zone 1 is presented where the inverter is only providing reactive power support to the grid by commanding  $i_{dref}=-10.0A$ . This can be concluded from the fact that  $I_{apf2a}$  is lagging  $V_{sa}$  by around  $92^\circ$ . Similarly, it can be noticed from Zones 1 and 7 in Fig. 10 (a) that  $E_{cap}$  is nearly constant while  $I_{ucav}$  and  $I_{dclnkav}$  are nearly zero which proves that the active power discharged from the UCAP while providing reactive power support to the grid is minimal. In Fig. 10 (c) the magnified view of Zone 3 shows where the inverter is only providing active power support to the grid by commanding  $i_{qref}=-8.0A$ . This can be concluded from the fact that  $I_{apf2a}$  and  $V_{sa}$  are almost in phase with little phase difference of around  $10^\circ$ . The results are similar for Zones 4 and 5 where the commanded active power is comparatively less than that in Zone 3. It is important to notice that in Zones 3, 4, and 5, of Fig. 10 (a) that UCAP is discharging power rapidly. Therefore,  $E_{cap}$  is decreasing rapidly while  $V_{fdc}$  remains constant at 260V and  $I_{ucav}$  is increasing rapidly while  $I_{dclnkav}$  remains almost constant.

The bi-directional capability of the dc-dc converter and the inverter is necessary for absorbing excess power from any DERs for renewable intermittency smoothing applications. To achieve this objective,  $i_{qref}$  is set to 7A and it can be observed from Fig. 10 (d), which is the zoomed in view of Zone 6, that the phase difference between  $I_{apf2a}$  and  $V_{sa}$  is around  $170^\circ$  which shows that the inverter is absorbing power from the grid. The bi-directional dc-dc converter operates in buck mode to absorb power from the grid. This can be seen from Zone 6 of Fig. 9 (a) where both  $I_{ucav}$  and  $I_{dclnkav}$  are negative while  $V_{fdc}$  is at 260V and  $E_{cap}$  is increasing slowly due to the UCAP being charged from the power absorbed from the grid.

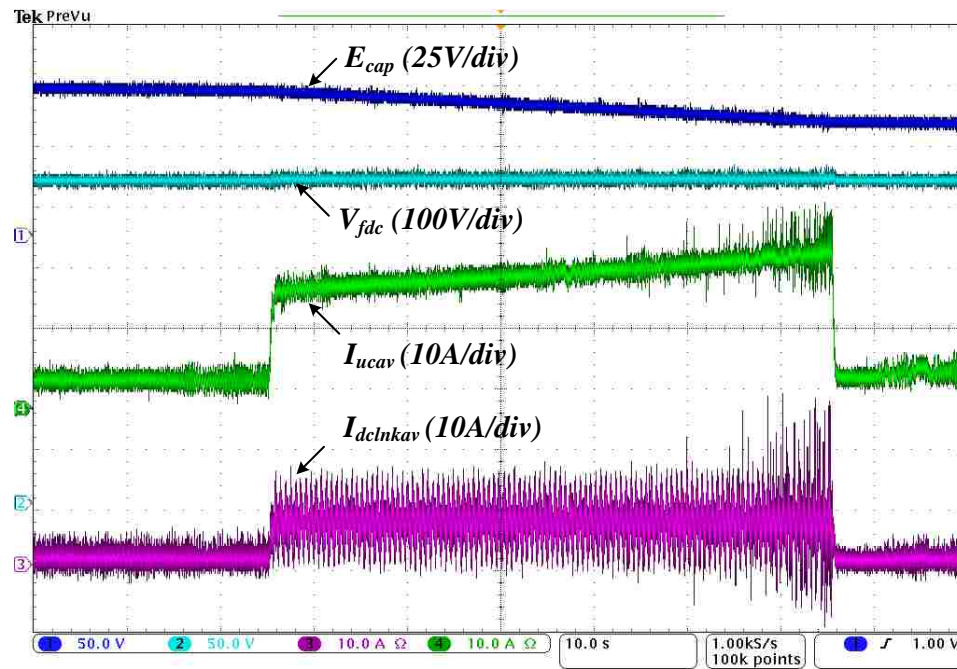


Fig. 9 (a) UCAP and bi-directional dc-dc converter experimental waveforms  $E_{cap}$  (CH1),  $V_{fdc}$  (CH2),  $I_{dclnkav}$  (CH3) and  $I_{ucav}$  (CH4) during voltage sag

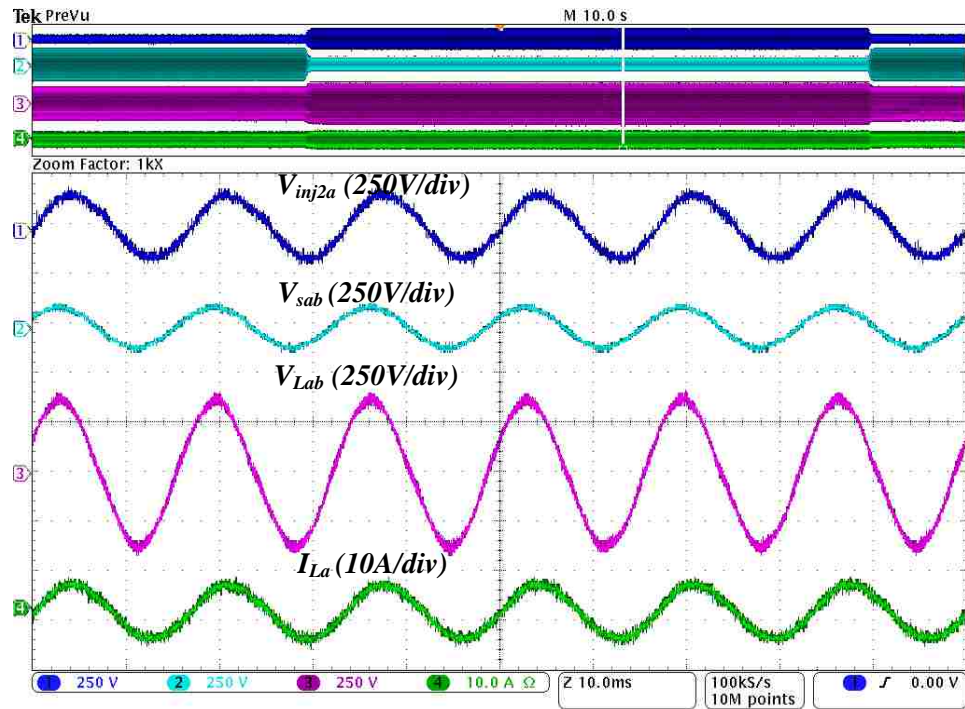


Fig. 9 (b) UCAP and bi-directional dc-dc converter experimental waveforms  $E_{cap}$  (CH1),  $V_{fdc}$  (CH2),  $I_{dclnk}$  (CH3) and  $I_{ucav}$  (CH4) during voltage sag

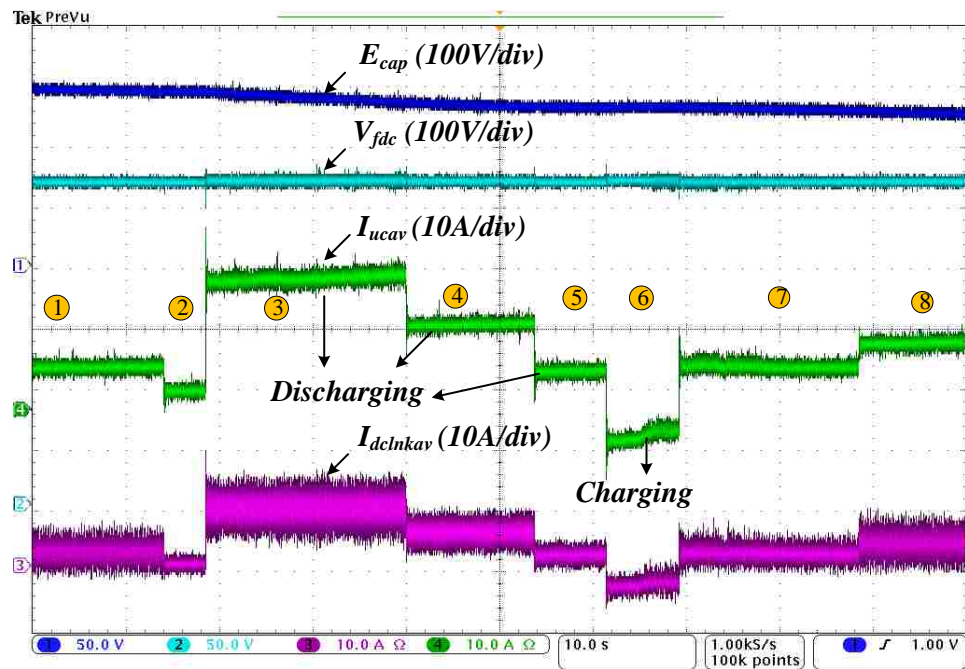


Fig. 10 (a) UCAP and dc-dc converter experimental waveforms  $E_{cap}$  (CH1),  $V_{fdc}$  (CH2),  $I_{dclnk}$  (CH3) and  $I_{ucav}$  (CH4) during voltage swell



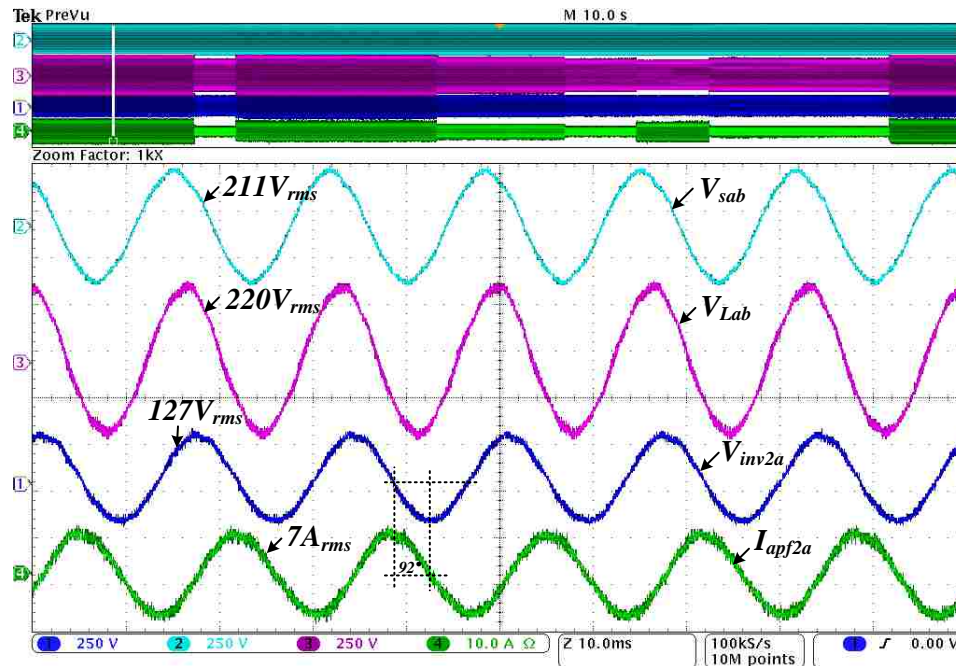


Fig. 10 (b) Inverter experimental waveforms  $V_{ab}$  (CH1),  $V_{inv1a}$  (CH2),  $V_{sa}$  (CH3) and  $I_{apf2a}$  (CH4) for zone 1 (reactive power support  $i_{dref} = -10.0A$ )

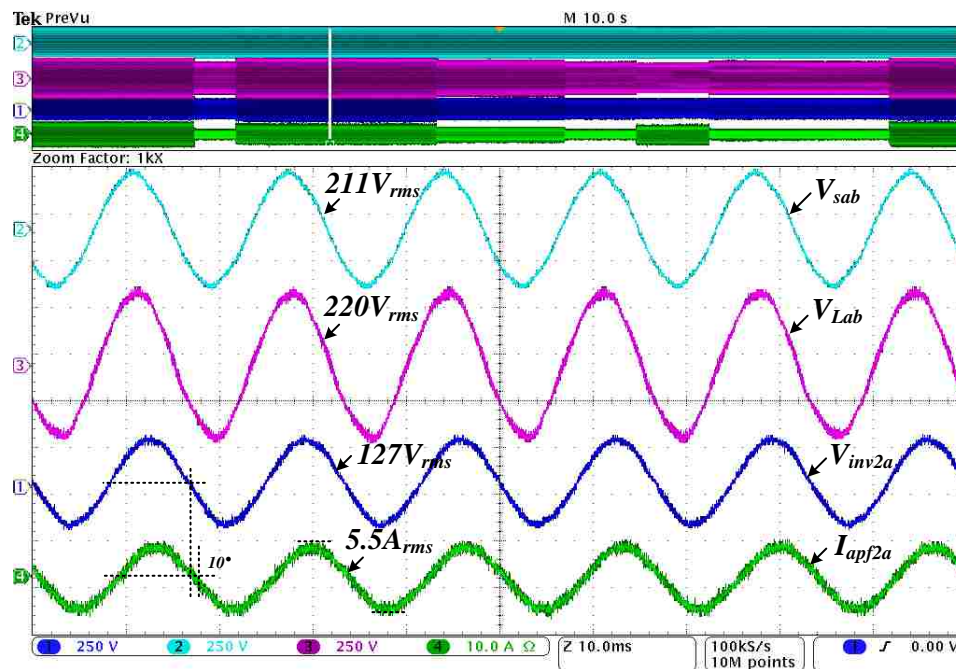


Fig. 10 (c) Inverter experimental waveforms  $V_{sab}$  (CH1),  $V_{Lab}$  (CH2),  $V_{sa}$  (CH3) and  $I_{apf2a}$  (CH4) for zone 3 (active power support  $i_{qref} = -8.0A$ )

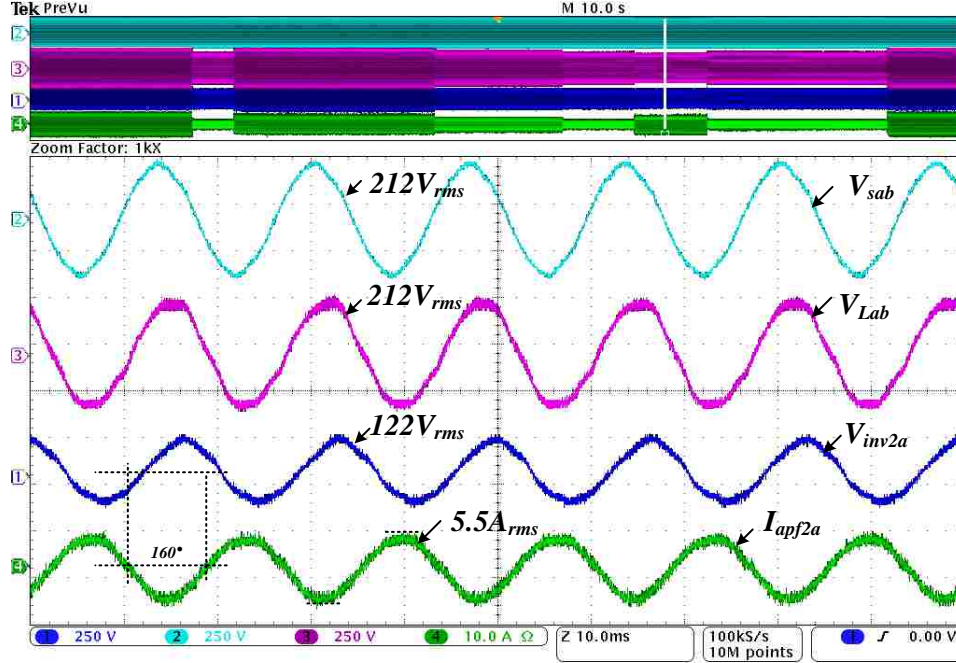


Fig. 10 (d) Inverter experimental waveforms  $V_{ab}$  (CH1),  $V_{inv1a}$  (CH2),  $V_{sa}$  (CH3) and  $I_{apf2a}$  (CH4) for zone 6 (UCAP charging  $i_{qref}=8.0A$ )

## XII. CONCLUSION

In this paper, the concept of integrating UCAP-based rechargeable energy storage to a power conditioner system to improve the power quality of the distribution grid is presented. With this integration the DVR portion of the power conditioner will be able to independently compensate voltage sags and swells and the APF portion of the power conditioner will be able to provide active and reactive power support and renewable intermittency smoothing to the distribution grid. UCAP integration through a bi-directional dc-dc converter at the dc-link of the power conditioner is proposed. The control strategy of the series inverter (DVR) is based on the in-phase compensation and the control strategy of the shunt inverter (APF) is based on the  $i_d-i_q$  method. Designs of major components in the power stage of the bi-directional dc-dc converter are discussed.



Average current mode control is used to regulate the output voltage of the dc-dc converter due to its inherently stable characteristic. The simulation of the UCAP-UPQC system is carried out using PSCAD. A hardware experimental setup of the integrated system is presented and the ability to provide temporary voltage sag compensation and active and reactive power support and renewable intermittency smoothing to the distribution grid is tested. Results from simulation and experiment agree well with each other thereby verifying the concepts introduced in this paper. Similar UCAP-based energy storage can be deployed in the future in a micro-grid or a low voltage distribution grid to respond to dynamic changes in the voltage profiles and power profiles on the distribution grid.

## REFERENCES

- [1] H. Akagi, E. H. Watanabe and M. Aredes, *Instantaneous Reactive Power Theory and Applications to Power Conditioning*, 1st ed. John Wiley & sons, IEEE Press, 2007.
- [2] N. H. Woodley, L. Morgan and A. Sundaram, "Experience with an inverter-based dynamic voltage restorer," *IEEE Trans. on Power Delivery*, vol. 14, no. 3, pp. 1181-1186, Jul. 1999.
- [3] J. G. Nielsen, M. Newman, H. Nielsen, and F. Blaabjerg, "Control and testing of a dynamic voltage restorer (DVR) at medium voltage level," *IEEE Trans. on Power Electron*, vol. 19, no. 3, pp. 806–813, May 2004.
- [4] V. Soares, P. Verdelho and G. D. Marques, "An instantaneous active and reactive current component method for active filters," *IEEE Trans. Power Electron*, vol. 15, no. 4, pp. 660-669, Jul. 2000.
- [5] K. Sahay and B. Dwivedi, "Supercapacitors energy storage system for power quality improvement: An overview," *Journal of Energy Sources*, pp. 1-8, 2009.
- [6] B. M. Han and B. Bae, "Unified power quality conditioner with super-capacitor for energy storage," *European Trans. Electric Power*, vol. 18, pp. 327-343, Apr. 2007.

- [7] P. F. Ribeiro, B. K. Johnson, M. L. Crow, A. Arsoy and Y. Liu, "Energy storage systems for advanced power applications," *Proc. IEEE*, vol. 89, no. 12, pp. 1744-1756, Dec. 2001.
- [8] A. B. Arsoy, Y. Liu, P. F. Ribeiro and F. Wang, "StatCom-SMES," *IEEE Ind. Appl. Mag.*, vol. 9, no. 2, pp. 21-28, Mar. 2003.
- [9] J. Rittershausen and M. McDonagh, "Moving energy storage from concept to reality: Southern California Edison's approach to evaluating energy storage," [http://www.edison.com/files/WhitePaper\\_SCEsApproachtoEvaluatingEnergyStorage.pdf](http://www.edison.com/files/WhitePaper_SCEsApproachtoEvaluatingEnergyStorage.pdf) accessed on Aug 2<sup>nd</sup>, 2013.
- [10] M. Branda, H. Johal and L. Ion, "Energy storage for LV grid support in Australia," in *Proc. IEEE Innov. Smart Grid Tech. Asia (ISGT)*, pp. 1-8, 13-16 Nov. 2011.
- [11] S. Santoso, M. F. McGranaghan, R. C. Dugan and H. W. Beaty, *Electrical Power Systems Quality*, 3rd ed. McGraw-Hill Professional, Jan. 2012.
- [12] W. Li, G. Joos and J. Belanger, "Real-time simulation of a wind turbine generator coupled with a battery supercapacitor energy storage system," *IEEE Trans. on Ind. Electron*, vol. 57, no. 4, pp. 1137 - 1145, Apr. 2010.
- [13] P. Thounthong, A. Luksanasakul, P. Koseeyaporn and B. Davat, "Intelligent model-based control of a standalone photovoltaic/fuel cell power plant with supercapacitor energy storage," *IEEE Trans. on Sustainable Energy*, vol.4, no.1, pp. 240-249, Jan. 2013.
- [14] X. Li, D. Hui and X. Lai, "Battery energy storage station (BESS)-based smoothing control of photovoltaic (PV) and wind power generation fluctuations," *IEEE Trans. on Sustainable Energy*, vol. 4, no. 2, pp. 464-473, Apr. 2013.
- [15] J. Tant, F. Geth, D. Six, P. Tant and J. Driesen, "Multiobjective battery storage to improve PV integration in residential distribution grids," *IEEE Trans. on Sustainable Energy*, vol. 4, no. 1, pp. 182-191, Jan. 2013.
- [16] S. Teleke, M. E. Baran, S. Bhattacharya and A. Q. Huang, "Rule-based control of battery energy storage for dispatching intermittent renewable sources," *IEEE Trans. on Sustainable Energy*, vol. 1, no. 3, pp. 117-124, Oct. 2010.
- [17] T. K. A. Brekken, A. Yokochi, A. V. Jouanne, Z. Z. Yen, H. M. Hapke and D. A. Halamay, "Optimal energy storage sizing and control for wind power applications," *IEEE Trans. on Sustainable Energy*, vol. 2, no. 1, pp. 69-77, Jan. 2011.
- [18] Y. Ru, J. Kleissl and S. Martinez, "Storage size determination for grid-connected photovoltaic systems," *IEEE Trans. on Sustainable Energy*, vol. 4, no. 1, pp. 68-81, Jan. 2013.

- [19] R. W. Erickson and D. Maksimovic, *Fundamentals of Power Electronics*, 2nd ed. Norwell, M. A. Kluwer, 2001.

## SECTION

### 2. CONCLUSION

In this dissertation, the concept of integrating UCAP-based rechargeable energy storage to the distribution grid is proposed. UCAP based energy storage is ideal for providing support to high power events on the distribution grid which require support in the *few seconds to few minutes* time scale. In this regard, the main contribution of this dissertation is proof of concept validation and hardware integration of UCAP-based energy storage into the distribution grid. The hardware integration is carried out in three parts

- In the first paper, an integrated UCAP-APF is designed to provide the integrated system with active power capability such that it will be able to provide active power support, reactive power support and renewable intermittency smoothing to the distribution grid from few seconds to 10 minutes time scale.
- In the second paper, an integrated UCAP-DVR is designed to allow the integrated system to independently compensate temporary voltage sags and voltage swells on the distribution grid which occur in the 3seconds-1minute time scale without relying on the grid to compensate for faults on the grid.
- In the third paper, the UCAP bank is integrated with a power conditioner (PC) which integrates both the APF and DVR topologies. The new integrated UCAP-PC will be able to provide the combined functionality of both the DVR and the APF. With this integration, the DVR portion of the power conditioner will be able to independently compensate voltage sags and swells and the APF

portion of the power conditioner will be able to provide active/reactive power support and renewable intermittency smoothing to the distribution grid.

The UCAP integration through a bi-directional dc-dc converter at the dc-link of the APF, DVR and power conditioner is proposed. The control strategy of the series inverter (DVR) is based on the in-phase compensation and the control strategy of the shunt inverter (APF) is based on the  $i_d-i_q$  method. Designs of major components in the power stage of the bi-directional dc-dc converter are discussed. Average current mode control is used to regulate the output voltage of the dc-dc converter due to its inherently stable characteristic. The simulation of the UCAP-PC system is carried out using PSCAD. A hardware experimental setup of the integrated system is presented and the ability to provide temporary voltage sag compensation and active and reactive power support and renewable intermittency smoothing to the distribution grid is tested. Results from simulation and experiment agree well with each other thereby verifying the concepts introduced. Similar UCAP based energy storages can be deployed in the future in a micro-grid or a low voltage distribution grid to respond to dynamic changes in the voltage profiles and power profiles on the distribution grid in a smart grid scenario.

### 3. FUTURE WORK

In the future as the concepts of smart grid and the 'Energy for Internet' evolve there will be exchange of power between the distribution grid and the consumer. Distributed energy resources (DERs) will be integrated into the distribution grid and energy storage will play a major role in solving problems related to grid intermittencies. As the cost of energy storage decreases and energy storage integration into the grid becomes more viable there will be higher penetration of energy storage into the grid. Power electronics and control will play a major role in the integration of energy storage. New improved topologies, better switching devices, improved efficiencies and reduction in sizing and cost of the power electronic converters will play a major role in integrating energy storage into the grid. In this dissertation, an UCAP integrated through a bi-directional dc-dc converter at the dc-link of the APF, DVR and power conditioner is proposed. Future work would include ways to provide additional functionalities such as frequency regulation through dc-ac inverter. Future work would also include ways to improve the efficiency and reduce the cost of the bi-directional dc-dc converter and the dc-ac inverter. Currently, the bi-directional dc-dc converter is operating in a hard switched fashion with a maximum efficiency of 90%. However, the efficiency can be further improved by reducing the switching losses through the use of soft switching mechanisms. The cost of the system might be reduced through the use of Z-source inverters in which the functionalities of the dc-dc converter and dc-ac inverter are combined into a single topology through passive components. However, lack of in-depth knowledge about the design of the Z-source inverter and their control complexity are major hurdles which will add to the design time.

## **APPENDIX A**

### **THREE-PHASE PLL IMPLEMENTATION**

In this section the discussion on the concept behind the development of the PLL implementation is presented. The PLL used for calculating  $\theta$  has been implemented using the fictitious power method described in [1] and the circuit is shown in Fig. 1. The circuit is based on the equations (1), (2) and (3) for instantaneous 3-phase power  $p'_{3\phi}$  which is the sum of an average part  $\bar{p}'_{3\phi}$  and an oscillating part  $\tilde{p}'_{3\phi}$ . It can be observed from the circuit that the  $i'_a$  and  $i'_c$  are not exactly measured and hence the name *fictitious power method*. Also, it should be noted that the system converges when  $\bar{p}'_{3\phi}$  given in (3) reaches zero. This happens when  $\cos \phi = 0$  and  $\phi = 90^\circ$  i.e. when  $I_{+1}$  is orthogonal to the positive sequence voltage  $V_{+1}$  and leads  $V_{+1}$ ; this can be noticed in Fig. 2. The system reaches steady state when the PI controller ( $K_p=30$ ,  $K_i=200$ ) filters out the oscillating portion  $\tilde{p}'_{3\phi}$  and the average portion  $\bar{p}'_{3\phi}$  becomes zero. This can be observed in the last plot in Fig. 2 where  $p'_{3\phi}$  has zero average value and the oscillations in  $p'_{3\phi}$  are damped to a great extent. And  $\omega$  has oscillations which are proportional to the oscillations in  $p'_{3\phi}$ . Also, the main advantage of this method is it tracks the positive sequence voltage  $V_{+1}$  instead of the actual system voltage which is very useful in unbalanced systems.

$$p'_{3\phi} = v_a i'_a + v_b i'_b + v_c i'_c \quad (1)$$

$$p'_{3\phi} = v_{ab} i'_a + v_{cb} i'_c \quad (2)$$

$$p'_{3\phi} = \bar{p}'_{3\phi} + \tilde{p}'_{3\phi} = 3V_{+1}I_{+1} \cos \phi \quad (3)$$



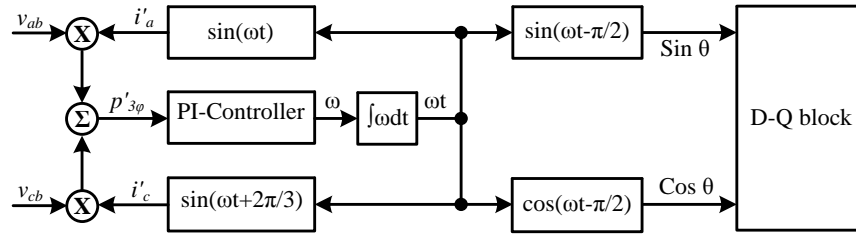


Fig. 1 Three-phase PLL circuit which tracks positive sequence voltage  $V_{+1}$

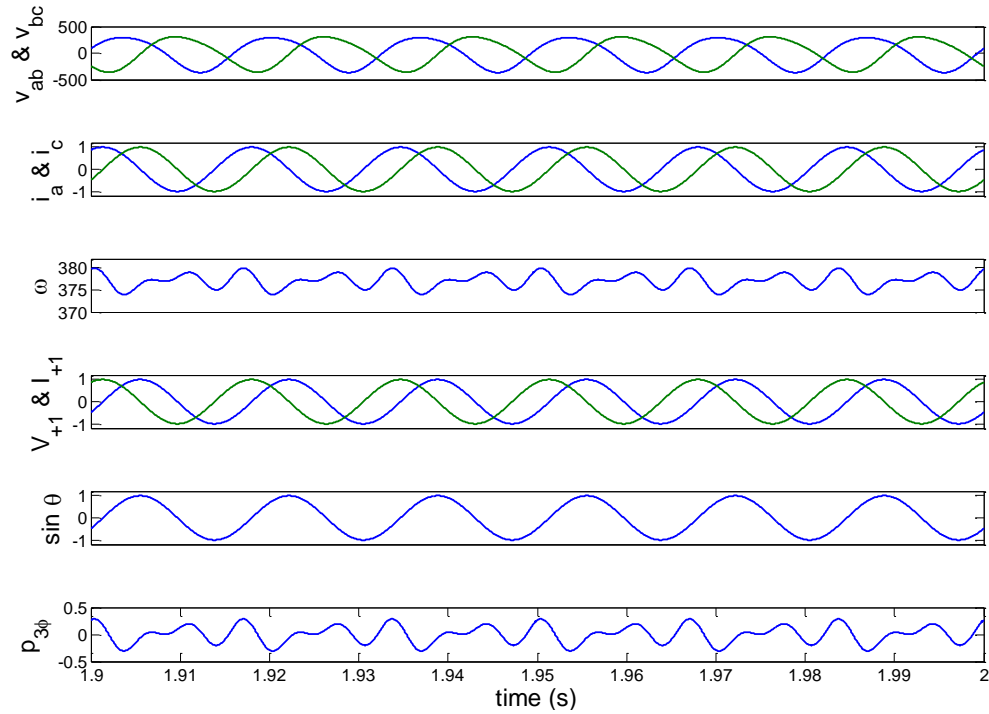


Fig. 2 Results for Three-phase PLL circuit ( $\sin \theta$  tracks the positive sequence voltage  $V_{+1}$ )

## **APPENDIX B**

### **EMBEDDED C CONTROLLER CODE FOR DSP**

This appendix lists the software programs developed for DSP-based data acquisition and A/D conversion, conversion and PWM switching signal generation of the power conditioner system which includes the controller codes for the series DVR and shunt APF. The complete program LabSeries\_Shunt.c with descriptive comments is given below:

```
//
// LabSeries_Shunt: TMS320F28335
// (c) Deepak Somayajula
//
#####
//
// FILE: LabSeries_Shunt.c
//
// TITLE: DSP28335ControlCARD; Digital Output
// 4 - bit - counter at 4 LEDs LD1(GPIO9), LD2(GPIO11), LD3(GPIO34)
// and LD4 (GPIO49)
// software delay loop; watchdog enabled
// solution file for LabCurrent_Reference.c
#####
// Ver | dd mmm yyyy | Who | Description of changes
// =====|=====|=====|=====
// 3.0 | 5 Mar 2013 | F.B. | LabSeries_Shunt for F28335;
#####
#include "DSP2833x_Device.h"
#include <cmath>
#define AdcBufLen 50

//external function prototypes
extern void InitSysCtrl(void);
extern void InitPieCtrl(void);
extern void InitPieVectTable(void);
extern void InitCpuTimers(void);
extern void InitAdc(void);
extern void ConfigCpuTimer(struct CPUTIMER_VARS *, float, float);

// Prototype statements for functions found within this file.
void Gpio_select(void);
void Setup_ePWM(void);
void Setup_ADC(void);
interrupt void cpu_timer0_isr(void);
interrupt void adc_isr(void);

// global variables
float Vab[AdcBufLen+1]={0.0};
float Vbc[AdcBufLen+1]={0.0};
float Vca[AdcBufLen+1]={0.0};

float Vsa[AdcBufLen+1]={0.0};
```

```

float Vsb[AdcBufLen+1]={0.0};
float Vsc[AdcBufLen+1]={0.0};
float vc_alpha[AdcBufLen+1]={0.0};
float vc_beta[AdcBufLen+1]={0.0};

float Irefab[AdcBufLen+1]={0.0};
float Irefbc[AdcBufLen+1]={0.0};
float Irefca[AdcBufLen+1]={0.0};

float Iapfa[AdcBufLen+1]={0.0};
float Iapfb[AdcBufLen+1]={0.0};
float Iapfc[AdcBufLen+1]={0.0};

float z[AdcBufLen+1]={0.0};
float id[AdcBufLen+1]={-5.0};
float vd[AdcBufLen+1]={0.0};

float z1[AdcBufLen+1]={0.0};
float iq[AdcBufLen+1]={0.0};
float vq[AdcBufLen+1]={0.0};
float y2[AdcBufLen+1]={1.5};

float idiffa[AdcBufLen+1]={0.0};
float idiffb[AdcBufLen+1]={0.0};
float idiffc[AdcBufLen+1]={0.0};

float vdiffa[AdcBufLen+1]={0.0};
float vdiffb[AdcBufLen+1]={0.0};
float vdiffc[AdcBufLen+1]={0.0};

float xa[AdcBufLen+1]={0.0};
float xb[AdcBufLen+1]={0.0};
float xc[AdcBufLen+1]={0.0};

float ya[AdcBufLen+1]={0.0};
float yb[AdcBufLen+1]={0.0};
float yc[AdcBufLen+1]={0.0};

//float ILa_mean[5]={0.0};
float P[AdcBufLen+1]={0.0};
float Pdot[AdcBufLen+1]={0.0};
float w[AdcBufLen+1]={377.0};
float wt[AdcBufLen+1]={0.0};
float t[AdcBufLen+1]={0.0};
float sinth[AdcBufLen+1]={0.0};
float sinth1[AdcBufLen+1]={0.0};
float sinth2[AdcBufLen+1]={0.0};
float sinth3[AdcBufLen+1]={0.0};
float costh[AdcBufLen+1]={0.0};
float costh1[AdcBufLen+1]={0.0};

static Uint16 ind=0,indmin1=0,c=0;
float Kp1=0.45,Kp=0.18,Kd=0.0e-5,Ki=50.0,idref=-2.0,iqref=-2.0,cal_I=-45.0,cal_V=226.0,vref=0.00591;
#####
//      main code
#####

```

```

void main(void)
{
    int counter=0;    // binary counter for digital output
    InitSysCtrl();   // Basic Core Initialization

    EALLOW;
    SysCtrlRegs.WDCR = 0x00AF;
    EDIS;

    DINT;           // Disable all interrupts

    Gpio_select();  // GPIO58, GPIO60, GPIO34 and GPIO49 as output
                    // to 4 LEDs at Peripheral Explorer)

    Setup_ePWM();   // init of ePWM1A, ePWM2A, ePWM3A

    Setup_ADC();    // ADC setup program

    InitPieCtrl();
    InitPieVectTable();

    EALLOW;
    PieVectTable.TINT0 = &cpu_timer0_isr;
    PieVectTable.ADCINT = &adc_isr;
    EDIS;

    InitCpuTimers();
    ConfigCpuTimer(&CpuTimer0, 150, 16.667);

    PieCtrlRegs.PIEIER1.bit.INTx7 = 1;
    PieCtrlRegs.PIEIER1.bit.INTx6 = 1;

    IER|=1;
    EINT;
    ERTM;
    CpuTimer0Regs.TCR.bit.TSS = 0;
    while(1)
    {
        while(CpuTimer0.InterruptCount == 0);
        CpuTimer0.InterruptCount = 0;

        EALLOW;
        SysCtrlRegs.WDKEY = 0x55; // service WD #1
        EDIS;
        counter++;
        //GPIO16 and GPIO18 are complements of nPRST and nRST signals for CPLDs on inverter boards
        GpioDataRegs.GPASET.bit.GPIO16 = 0;
        GpioDataRegs.GPASET.bit.GPIO18 = 0;
    }
}

void Gpio_select(void)
{
    EALLOW;
    GpioCtrlRegs.GPAMUX1.all = 0; // GPIO15 ... GPIO0 = General Purpose I/O
    GpioCtrlRegs.GPAMUX1.bit.GPIO0 = 1; // Configure ePWM1A as active
    GpioCtrlRegs.GPAMUX1.bit.GPIO1 = 1; // Configure ePWM1B as active
}

```

```

GpioCtrlRegs.GPAMUX1.bit.GPIO2 = 1; // Configure ePWM2A as active
GpioCtrlRegs.GPAMUX1.bit.GPIO3 = 1; // Configure ePWM2B as active
GpioCtrlRegs.GPAMUX1.bit.GPIO4 = 1; // Configure ePWM3A as active
GpioCtrlRegs.GPAMUX1.bit.GPIO5 = 1; // Configure ePWM3B as active

GpioCtrlRegs.GPAMUX1.bit.GPIO6 = 1; // Configure ePWM4A as active
GpioCtrlRegs.GPAMUX1.bit.GPIO7 = 1; // Configure ePWM4B as active
GpioCtrlRegs.GPAMUX1.bit.GPIO8 = 1; // Configure ePWM5A as active
GpioCtrlRegs.GPAMUX1.bit.GPIO9 = 1; // Configure ePWM5B as active
GpioCtrlRegs.GPAMUX1.bit.GPIO10 = 1; // Configure ePWM6A as active
GpioCtrlRegs.GPAMUX1.bit.GPIO11 = 1; // Configure ePWM6B as active

GpioCtrlRegs.GPAMUX2.all = 0; // GPIO31 ... GPIO16 = General Purpose I/O
GpioCtrlRegs.GPBMUX1.all = 0; // GPIO47 ... GPIO32 = General Purpose I/O
GpioCtrlRegs.GPBMUX2.all = 0; // GPIO63 ... GPIO48 = General Purpose I/O
GpioCtrlRegs.GPCMUX1.all = 0; // GPIO79 ... GPIO64 = General Purpose I/O
GpioCtrlRegs.GPCMUX2.all = 0; // GPIO87 ... GPIO80 = General Purpose I/O

GpioCtrlRegs.GPADIR.all = 0; // GPIO31-0 as inputs
GpioCtrlRegs.GPADIR.bit.GPIO16 = 1; // peripheral explorer: LED LD1 at GPIO9
GpioCtrlRegs.GPADIR.bit.GPIO18 = 1; // peripheral explorer: LED LD2 at GPIO11

GpioCtrlRegs.GPBDIR.all = 0; // GPIO63-32 as inputs
GpioCtrlRegs.GPBDIR.bit.GPIO34 = 1; // peripheral explorer: LED LD3 at GPIO34
GpioCtrlRegs.GPBDIR.bit.GPIO49 = 1; // peripheral explorer: LED LD4 at GPIO49
GpioCtrlRegs.GPCDIR.all = 0; // GPIO87-64 as inputs
EDIS;
}
void Setup_ePWM(void)
{
    EPwm1Regs.TBCTL.bit.CLKDIV = 0; // CLKDIV = 1
    EPwm1Regs.TBCTL.bit.HSPCLKDIV = 0; // HSPCLKDIV = 1
    EPwm1Regs.TBCTL.bit.CTRMODE = 2; // up - down mode
    EPwm1Regs.TBCTL.bit.PRDL = 0; // Shadow Mode
    EPwm1Regs.AQCTLA.all = 0x0060; // set ePWM1A on CMPA up
    // clear ePWM1A on CMPA down
    EPwm1Regs.TBPRD = 6250; // 12KHz - PWM signal
    EPwm1Regs.CMPA.half.CMPA = 3125; // 50% duty cycle first

    EPwm1Regs.CMPCTL.bit.SHDWAMODE = 0; // Double-Buffer with Shadow register
    EPwm1Regs.CMPCTL.bit.LOADAMODE = 0; // Load on Counter zero
    EPwm1Regs.DBCTL.bit.OUT_MODE = 3; // DB Module fully enabled 1A
    EPwm1Regs.DBCTL.bit.POLSEL = 2; // Active HI Complementary
    EPwm1Regs.DBFED = 100; // FED of 100*TBclk=2.667us
    EPwm1Regs.DBRED = 100; // RED of 100*TBclk=2.667us

    EPwm2Regs.TBCTL.bit.CLKDIV = 0; // CLKDIV = 1
    EPwm2Regs.TBCTL.bit.HSPCLKDIV = 0; // HSPCLKDIV = 1
    EPwm2Regs.TBCTL.bit.CTRMODE = 2; // up - down mode
    EPwm2Regs.AQCTLA.all = 0x0060; // set ePWM2A on CMPA up
    // clear ePWM2A on CMPA down

    EPwm2Regs.TBPRD = 6250; // 12kHz - PWM signal
    EPwm2Regs.CMPA.half.CMPA = 3125; // 50% duty cycle first
    EPwm2Regs.DBCTL.bit.OUT_MODE = 3; // DB Module fully enabled on 2A
    EPwm2Regs.DBCTL.bit.POLSEL = 2; // Active HI Complementary

```

```

EPwm2Regs.DBFED = 100;          // FED of 100*TBclk=2.667us
EPwm2Regs.DBRED = 100;          // RED of 100*TBclk=2.667us

EPwm3Regs.TBCTL.bit.CLKDIV = 0; // CLKDIV = 1
EPwm3Regs.TBCTL.bit.HSPCLKDIV = 0; // HSPCLKDIV = 1
EPwm3Regs.TBCTL.bit.CTRMODE = 2; // up - down mode
EPwm3Regs.AQCTLA.all = 0x0060; // set ePWM3A on CMPA up
                               // clear ePWM3A on CMPA down

EPwm3Regs.TBPRD = 6250;         // 12kHz - PWM signal
EPwm3Regs.CMPA.half.CMPA = 3125; // 50% duty cycle first
EPwm3Regs.DBCTL.bit.OUT_MODE = 3; // DB Module fully enabled on 3A
EPwm3Regs.DBCTL.bit.POLSEL = 2; // Active HI Complementary
EPwm3Regs.DBFED = 100;          // FED of 100*TBclk=2.667us
EPwm3Regs.DBRED = 100;          // RED of 100*TBclk=2.667us

EPwm4Regs.TBCTL.bit.CLKDIV = 0; // CLKDIV = 1
EPwm4Regs.TBCTL.bit.HSPCLKDIV = 0; // HSPCLKDIV = 1
EPwm4Regs.TBCTL.bit.CTRMODE = 2; // up - down mode
EPwm4Regs.AQCTLA.all = 0x0060; // set ePWM4A on CMPA up
                               // clear ePWM4A on CMPA down

EPwm4Regs.TBPRD = 12500;        // 12kHz - PWM signal
EPwm4Regs.CMPA.half.CMPA = 6250; // 50% duty cycle first
EPwm4Regs.DBCTL.bit.OUT_MODE = 3; // DB Module fully enabled on 3A
EPwm4Regs.DBCTL.bit.POLSEL = 2; // Active HI Complementary
EPwm4Regs.DBFED = 100;          // FED of 100*TBclk=2.667us
EPwm4Regs.DBRED = 100;          // RED of 100*TBclk=2.667us

EPwm5Regs.TBCTL.bit.CLKDIV = 0; // CLKDIV = 1
EPwm5Regs.TBCTL.bit.HSPCLKDIV = 0; // HSPCLKDIV = 1
EPwm5Regs.TBCTL.bit.CTRMODE = 2; // up - down mode
EPwm5Regs.AQCTLA.all = 0x0060; // set ePWM5A on CMPA up
                               // clear ePWM5A on CMPA down

EPwm5Regs.TBPRD = 12500;        // 12kHz - PWM signal
EPwm5Regs.CMPA.half.CMPA = 6250; // 50% duty cycle first
EPwm5Regs.DBCTL.bit.OUT_MODE = 3; // DB Module fully enabled on 3A
EPwm5Regs.DBCTL.bit.POLSEL = 2; // Active HI Complementary
EPwm5Regs.DBFED = 100;          // FED of 100*TBclk=2.667us
EPwm5Regs.DBRED = 100;          // RED of 100*TBclk=2.667us

EPwm6Regs.TBCTL.bit.CLKDIV = 0; // CLKDIV = 1
EPwm6Regs.TBCTL.bit.HSPCLKDIV = 0; // HSPCLKDIV = 1
EPwm6Regs.TBCTL.bit.CTRMODE = 2; // up - down mode
EPwm6Regs.AQCTLA.all = 0x0060; // set ePWM6A on CMPA up
                               // clear ePWM6A on CMPA down

EPwm6Regs.TBPRD = 12500;        // 12kHz - PWM signal
EPwm6Regs.CMPA.half.CMPA = 6250; // 50% duty cycle first
EPwm6Regs.DBCTL.bit.OUT_MODE = 3; // DB Module fully enabled on 3A
EPwm6Regs.DBCTL.bit.POLSEL = 2; // Active HI Complementary
EPwm6Regs.DBFED = 100;          // FED of 100*TBclk=2.667us
EPwm6Regs.DBRED = 100;          // RED of 100*TBclk=2.667us
}
void Setup_ADC(void)

```





```

if(c==1 && t[0]==0.0)
{
  z[indmin1]=0.0;
  id[indmin1]=0.0;
  vd[indmin1]=0.0;
  s/id_ac[indmin1]=0.0;
  z1[indmin1]=0.0;
  iq[indmin1]=0.0;
  vq[indmin1]=0.0;
  //iq_ac[indmin1]=0.0;
  y2[indmin1]=1.5;

  idiffa[indmin1]=0.0;
  idiffb[indmin1]=0.0;
  idiffc[indmin1]=0.0;

  vdiffa[indmin1]=0.0;
  vdiffb[indmin1]=0.0;
  vdiffc[indmin1]=0.0;

  xa[indmin1]=0.0;
  xb[indmin1]=0.0;
  xc[indmin1]=0.0;

  ya[indmin1]=0.0;
  yb[indmin1]=0.0;
  yc[indmin1]=0.0;

  P[indmin1]=0.0;
  Pdot[indmin1]=0.0;
  w[indmin1]=377.0;
  wt[indmin1]=0.0;
  t[indmin1]=0.0;
  sinth[indmin1]=0.0;
  sinth1[indmin1]=0.0;
  sinth2[indmin1]=0.0;
  sinth3[indmin1]=0.0;
  costh[indmin1]=0.0;
  costh1[indmin1]=0.0;
}
}

Iapfa[ind] = cal_I*(((AdcRegs.ADCRESULT0>>4))*7.326e-4-y2[indmin1]);
Iapfb[ind] = cal_I*(((AdcRegs.ADCRESULT1>>4))*7.326e-4-y2[indmin1]);
Iapfc[ind] = cal_I*(((AdcRegs.ADCRESULT2>>4))*7.326e-4-y2[indmin1]);

Vab[ind] = (((AdcRegs.ADCRESULT3>>4))*7.326e-4-y2[indmin1]);
Vbc[ind] = (((AdcRegs.ADCRESULT4>>4))*7.326e-4-y2[indmin1]);
Vca[ind] = (((AdcRegs.ADCRESULT5>>4))*7.326e-4-y2[indmin1]);

id[ind] = idref;
iq[ind] = iqref;

//Filter to filter the 1.5V noise
y2[ind]= y2[indmin1]+h*wc1*(x-y2[indmin1]);

```

```

ic_alpha= ((id[ind])*cosh1[indmin1]-(iq[ind])*sinh1[indmin1]);
ic_beta = ((id[ind])*sinh1[indmin1]+(iq[ind])*cosh1[indmin1]);

//ic_alpha= ((id[ind]-id_ac[ind])*cosh1[indmin1]-(iq[ind]-iq_ac[ind])*sinh1[indmin1]);
//ic_beta = ((id[ind]-id_ac[ind])*sinh1[indmin1]+(iq[ind]-iq_ac[ind])*cosh1[indmin1]);

Irefab[ind] = 1.0*ic_alpha;
Irefbc[ind] = -0.5*ic_alpha+0.866*ic_beta;
Irefca[ind] = -0.5*ic_alpha-0.866*ic_beta;

//PI controller for 3-phase PLL
if(wt[indmin1] < 6.2831854)
{
P[ind]=(Vab[ind]*sin(wt[indmin1])-Vbc[ind]*sin(wt[indmin1]+2.0944));
Pdot[ind]=P[ind]-P[indmin1];
w[ind]= w[indmin1]+30.0*Pdot[ind]+h3*P[ind];
wt[ind]= wt[indmin1]+h*w[ind];
t[ind]= t[indmin1]+h;
//sinh[ind] = sin(wt[ind]-1.57079633); //Locks the PLL to Vsa
sinh[ind] = sin(wt[ind]-1.04719755); //for tracking Vab th=angle(Vsa)+30;
sinh1[ind]= sin(wt[ind]-1.57079633);
sinh2[ind]= sin(wt[ind]-3.66519143);
sinh3[ind]= sin(wt[ind]+0.52359878);
cosh1[ind]= cos(wt[ind]-1.57079633);
//cosh[ind] = cos(wt[ind]-1.57079633);
cosh[ind] = cos(wt[ind]-1.04719755);
}
else
{
wt[indmin1]=0.0;
P[ind]=(Vab[ind]*sin(wt[indmin1])-Vbc[ind]*sin(wt[indmin1]+2.0944));
Pdot[ind]=P[ind]-P[indmin1];
w[ind]= w[indmin1]+30.0*Pdot[ind]+h3*P[ind];
wt[ind]= wt[indmin1]+h*w[ind];
t[ind]= t[indmin1]+h;
//sinh[ind] = sin(wt[ind]-1.57079633); //Locks the PLL to Vsa
sinh[ind] = sin(wt[ind]-1.04719755); //for tracking Vab th=angle(Vsa)+30;
sinh1[ind]= sin(wt[ind]-1.57079633);
sinh2[ind]= sin(wt[ind]-3.66519143);
sinh3[ind]= sin(wt[ind]+0.52359878);
cosh1[ind]= cos(wt[ind]-1.57079633);
//cosh[ind] = cos(wt[ind]-1.57079633);
cosh[ind] = cos(wt[ind]-1.04719755);
}

xa[ind]= (Irefab[ind]-Iapfa[ind]);
xb[ind]= (Irefbc[ind]-Iapfb[ind]);
xc[ind]= (Irefca[ind]-Iapfc[ind]);

ya[ind]=60000.0*(xa[ind]-xa[indmin1]);
yb[ind]=60000.0*(xb[ind]-xb[indmin1]);
yc[ind]=60000.0*(xc[ind]-xc[indmin1]);

idiffa[ind]=idiffa[indmin1]+h*(Kp*ya[ind]+Ki*xa[ind])+Kd*(ya[ind]-ya[indmin1]);
idiffb[ind]=idiffb[indmin1]+h*(Kp*yb[ind]+Ki*xb[ind])+Kd*(yb[ind]-yb[indmin1]);
idiffc[ind]=idiffc[indmin1]+h*(Kp*yc[ind]+Ki*xc[ind])+Kd*(yc[ind]-yc[indmin1]);

```

```

if(idiffa[ind]>1.0) { idiffa[ind]=1.0; }
if(idiffa[ind]<-1.0) { idiffa[ind]=-1.0; }
if(idiffb[ind]>1.0) { idiffb[ind]=1.0; }
if(idiffb[ind]<-1.0) { idiffb[ind]=-1.0; }
if(idiffc[ind]>1.0) { idiffc[ind]=1.0; }
if(idiffc[ind]<-1.0) { idiffc[ind]=-1.0; }

//Update the PWM registers
EPwm1Regs.CMPA.half.CMPA=3125.0*(1.0-idiffa[ind]);
EPwm2Regs.CMPA.half.CMPA=3125.0*(1.0-idiffb[ind]);
EPwm3Regs.CMPA.half.CMPA=3125.0*(1.0-idiffc[ind]);

//Series DVR Control Code
valpha = cal_V*(0.8164*Vab[ind]-0.4082*Vbc[ind]-0.4082*Vca[ind]);
vbeta = cal_V*(0.7071*Vbc[ind]-0.7071*Vca[ind]);

vd[ind] = valpha*costh[indmin1]+vbeta*sinth[indmin1];
vq[ind] = vbeta*costh[indmin1]-valpha*sinth[indmin1];

vc_alpha[ind]= ((vd[ind])*costh1[indmin1]-(vq[ind])*sinth1[indmin1])*0.57736;
vc_beta[ind] = ((vd[ind])*sinth1[indmin1]+(vq[ind])*costh1[indmin1])*0.57736;
Vsa[ind] = 0.8164*vc_alpha[ind]*vref;
Vsb[ind] = (-0.4082*vc_alpha[ind]+0.7071*vc_beta[ind])*vref;
Vsc[ind] = (-0.4082*vc_alpha[ind]-0.7071*vc_beta[ind])*vref;

vdiffa[ind]= Kp1*(sinth1[ind]-Vsa[ind]);
vdiffb[ind]= Kp1*(sinth2[ind]-Vsb[ind]);
vdiffc[ind]= Kp1*(sinth3[ind]-Vsc[ind]);

if(vdiffa[ind]>1.0) { vdiffa[ind]=1.0; }
if(vdiffa[ind]<-1.0) { vdiffa[ind]=-1.0; }
if(vdiffb[ind]>1.0) { vdiffb[ind]=1.0; }
if(vdiffb[ind]<-1.0) { vdiffb[ind]=-1.0; }
if(vdiffc[ind]>1.0) { vdiffc[ind]=1.0; }
if(vdiffc[ind]<-1.0) { vdiffc[ind]=-1.0; }

//Update the PWM registers
EPwm4Regs.CMPA.half.CMPA=6250.0*(1.0-vdiffa[ind]);
EPwm5Regs.CMPA.half.CMPA=6250.0*(1.0-vdiffb[ind]);
EPwm6Regs.CMPA.half.CMPA=6250.0*(1.0-vdiffc[ind]);

if(ind==AdcBufLen)
{
    ind=0;
}
else
{
    ind++;
}

//Rewind the pointer to beginning
//Reinitialize for next ADC sequence
AdcRegs.ADCTRL2.bit.RST_SEQ1 = 1; // Reset SEQ1
AdcRegs.ADCST.bit.INT_SEQ1_CLR = 1; // Clear INT SEQ1 bit
// AdcRegs.ADCTRL2.bit.RST_SEQ2 = 1; // Reset SEQ2
// AdcRegs.ADCST.bit.INT_SEQ2_CLR = 1; // Clear INT SEQ2 bit

```

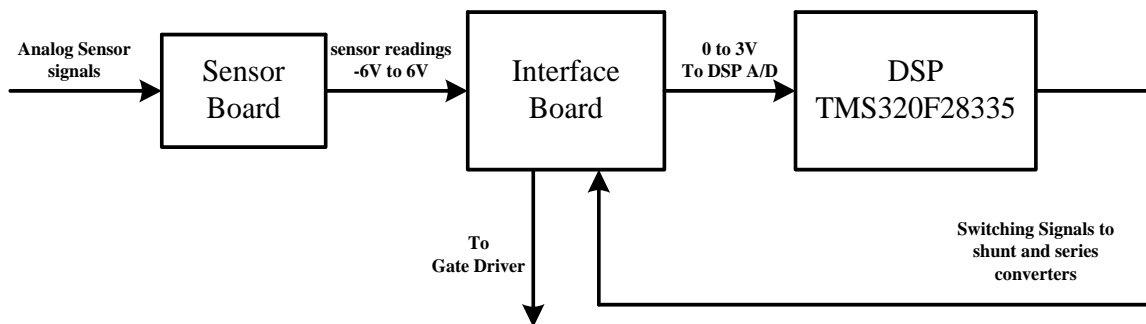
```
PieCtrlRegs.PIEACK.all = 1; // Acknowledge interrupt to PIE
GpioDataRegs.GPBCLEAR.bit.GPIO49 = 1;
}
//=====
// End of SourceCode.
//=====
```

## **APPENDIX C**

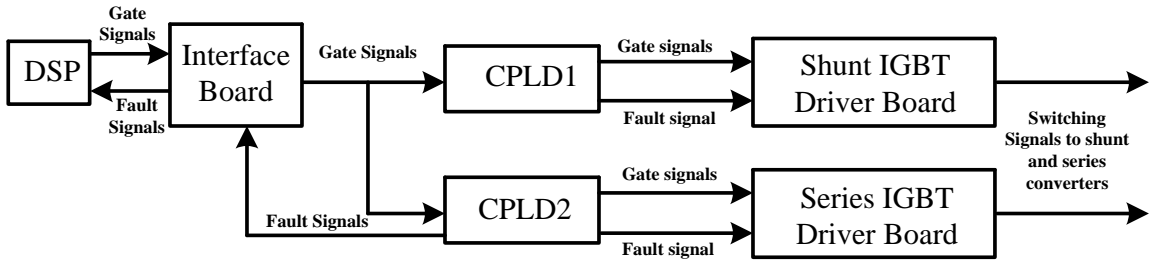
### **SCHEMATICS FOR PCB BOARD DESIGN**

This appendix presents the PCB Design for all circuit boards for DSP-based data acquisition and PWM switching signal generation system. The various PCB schematics is given below:

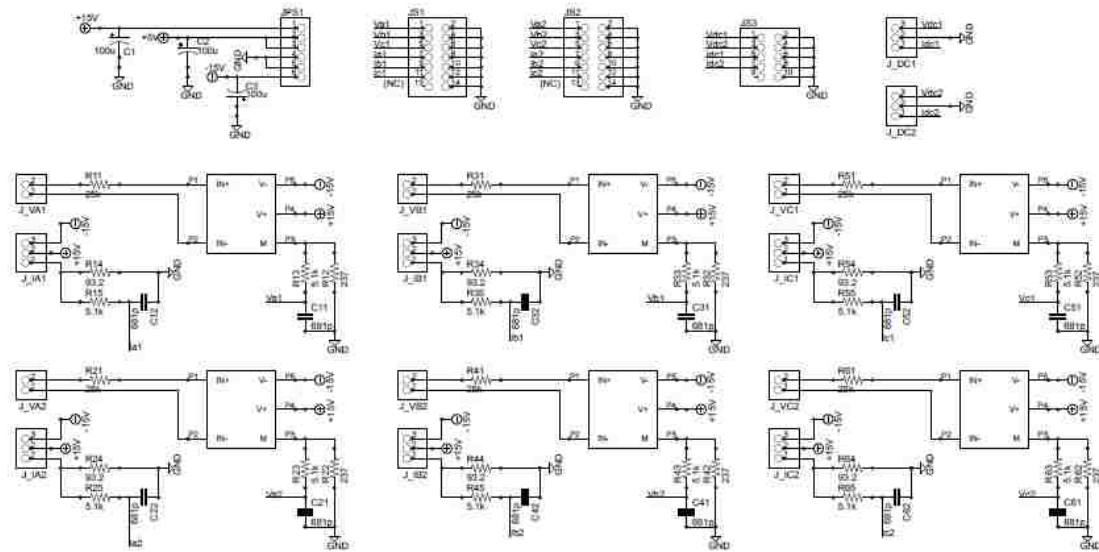
- The sensor board measures the various analog signals and converts them to a -6V to 6V range
- The interface board interfaces the sensed signals and converts them to a 0 to 3V range compatible with the DSP and sends to them DSP,
- Analog to digital (A/D) conversion and control algorithm implementation are carried out in the DSP (TMS320F28335). The control algorithm in the DSP to control the inverter using pulse-width modulation (PWM) technique is programmed using TI's Code Composer Studio (CCS) ver3.3.
- The inverter board has the IGBT module, its driver and the gate drive circuitry.



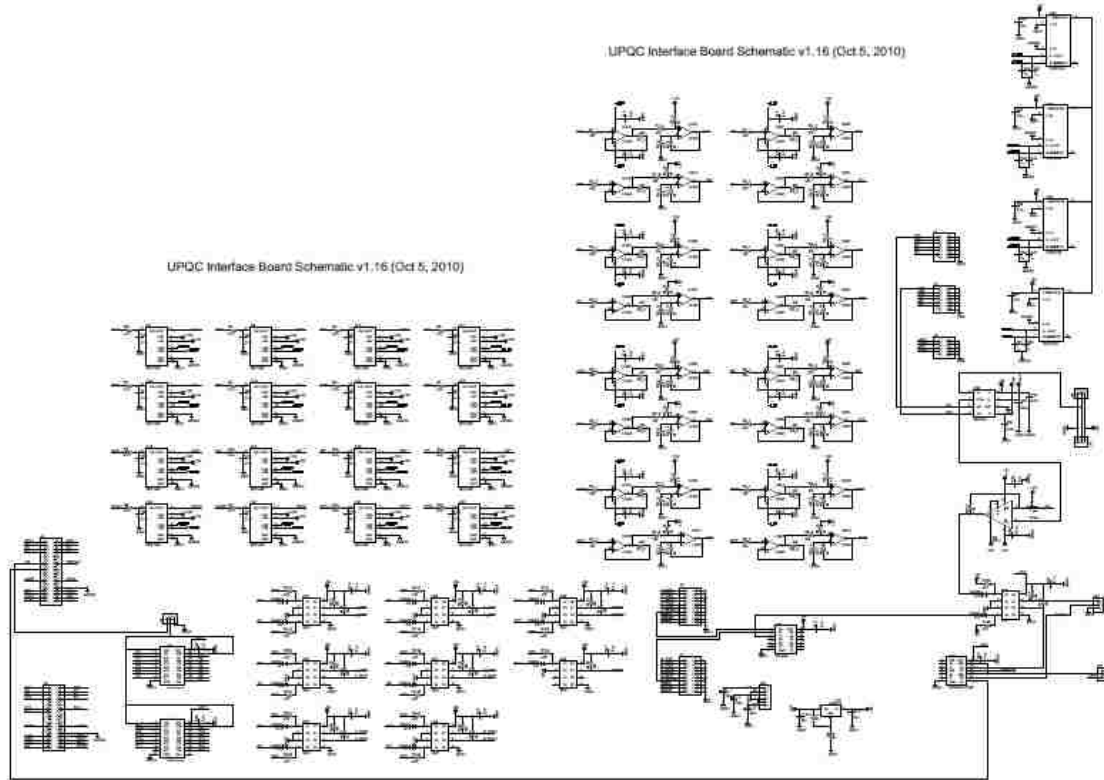
Block Diagram of the interaction between Sensor board, Interface board and DSP Board



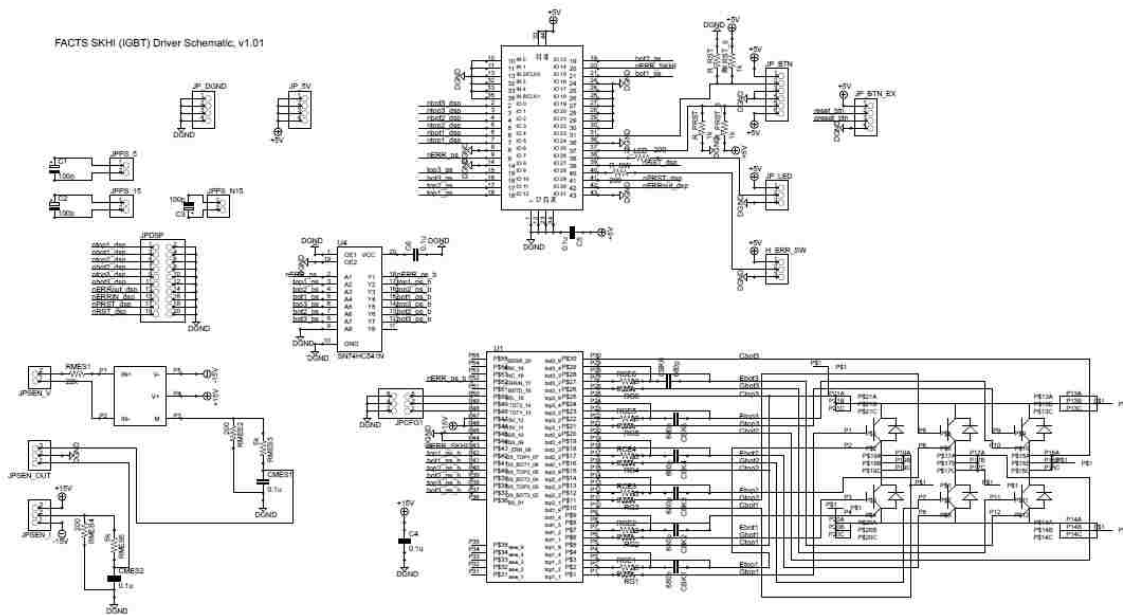
Block Diagram of interaction between Interface boards and the Inverter Boards



PCB Schematic of the Sensor Board



PCB Schematic of the Interface Board



PCB Schematic of the Gate Driver Board with IGBT Module



## REFERENCES

- [1] H. Akagi, E. H. Watanabe and M. Aredes, *Instantaneous Reactive Power Theory and Applications to Power Conditioning*, 1st ed. John Wiley & sons, IEEE Press, 2007.

## VITA

Deepak Balaji Somayajula finished his schooling from his hometown Visakhapatnam, India. He graduated from Pondicherry University (India) with a BSEE degree in 2005. He worked as a Software Engineer at Infosys Technologies, India from 2005 to 2007. He started his MSEE degree at Missouri University of Science and Technology (Rolla) in August 2007 and graduated in December 2009. From September 2009 he worked towards his PhD degree and he graduated in May 2014. He has published papers in various conferences and his dissertation in various journals. He received the best paper award at the 2008 Vehicle Power and Propulsion Conference (VPPC) for the paper titled “Study on the effects of battery capacity on the performance of hybrid electric vehicles”. He was a student member of IEEE, a member of IEEE Power Engineering Society and IEEE Industrial Electronics Society. His primary research interest is in modeling, analysis, design, control and hardware integration of various power electronic converters for renewable integration into the power system grid. He is also interested in the design of battery chargers for PHEVs. He worked as a summer intern at Delphi Electronics & Safety during the summer of 2012 where he was involved in the design and digital control of 3.3 kW Level 1 onboard battery chargers for PHEVs.

